

Installation Manual

sound protection system PrivaSEE

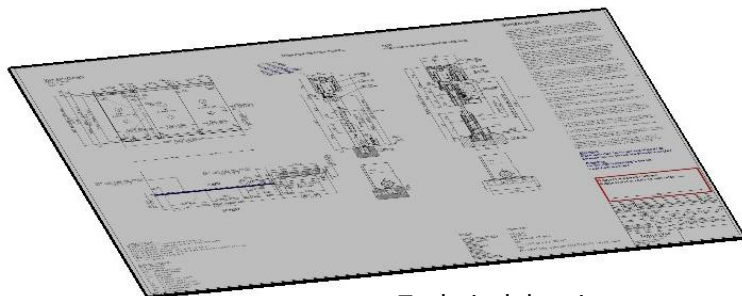
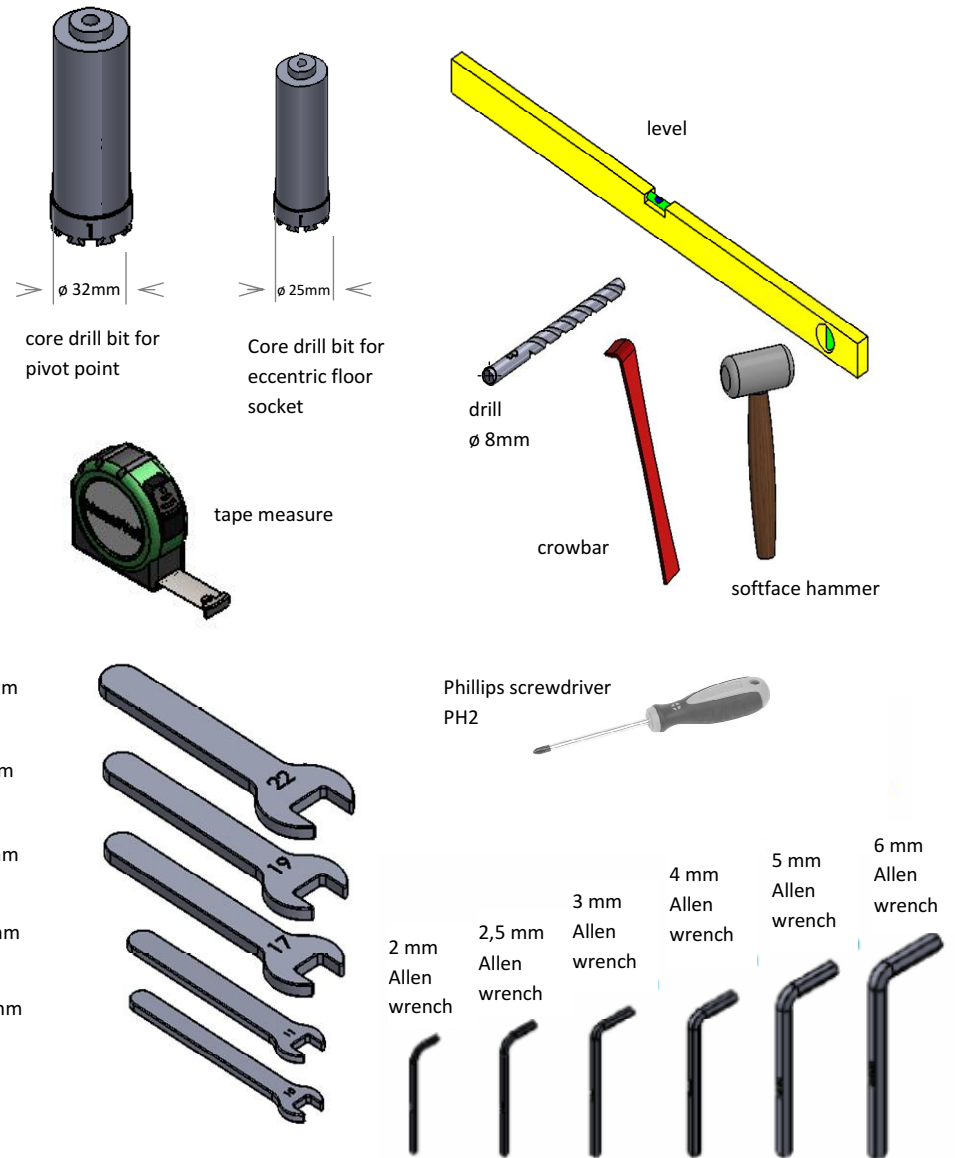


Installation Manual sound protection system PrivaSEE

Table of contents

- Required tools.....2
- Rough opening and unit dimensions.....3
- Head track in knocked down condition.....4
- Connector piece for head track and side jamb.....5
- Head track assembly.....6
- Head track shimming.....7
- Installation of floor closer for single action offset end panel.....8
- Installation sequence of panels.....9
- Panel alignment and height adjustment.....10
- Drilling holes for floor sockets.....11
- Panel installation for single action end panel (with floor support or floor closer).....12
- Field applying vertical H- and h-gaskets and height adjustment of bottom compression seal.....13
- Installation of half cylinder (on inside only).....14

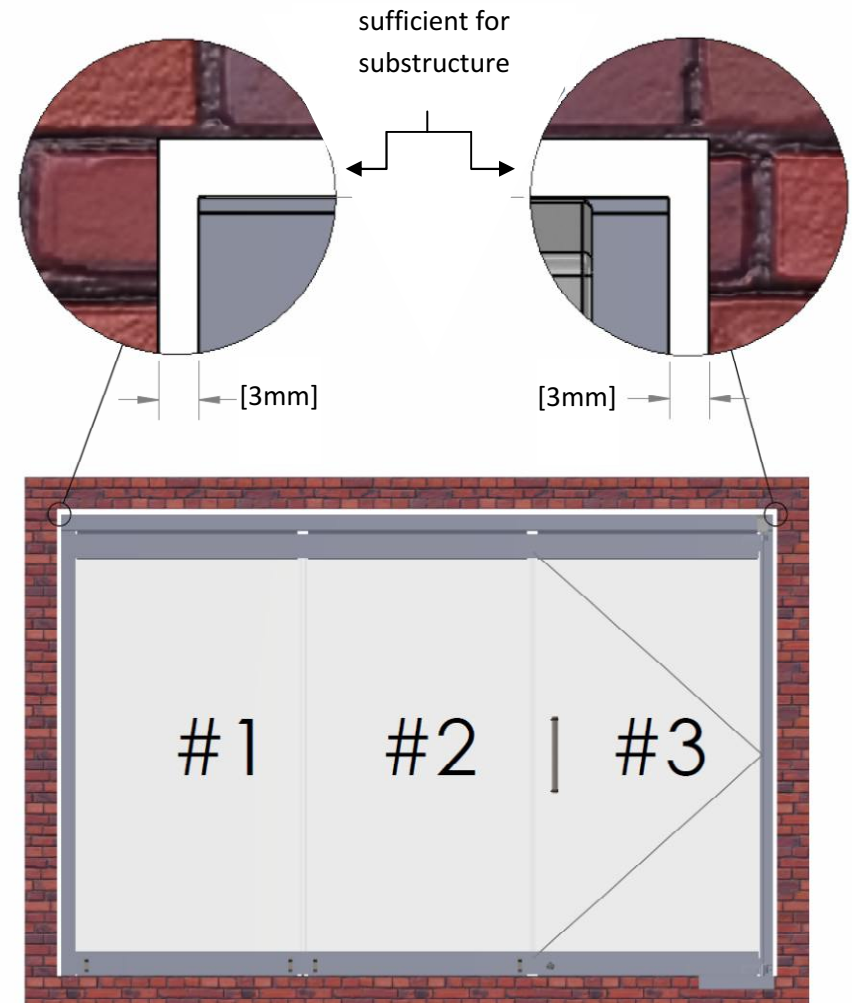
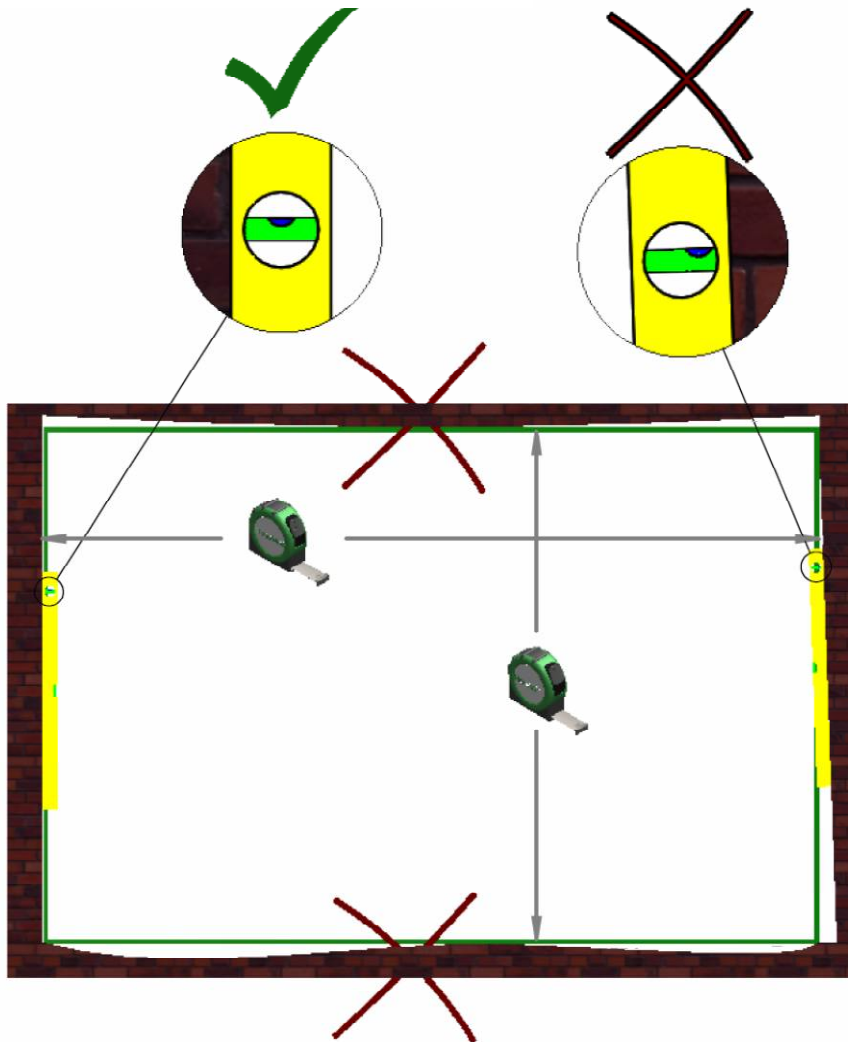
Required tools



Technical drawing

Rough opening and unit dimensions

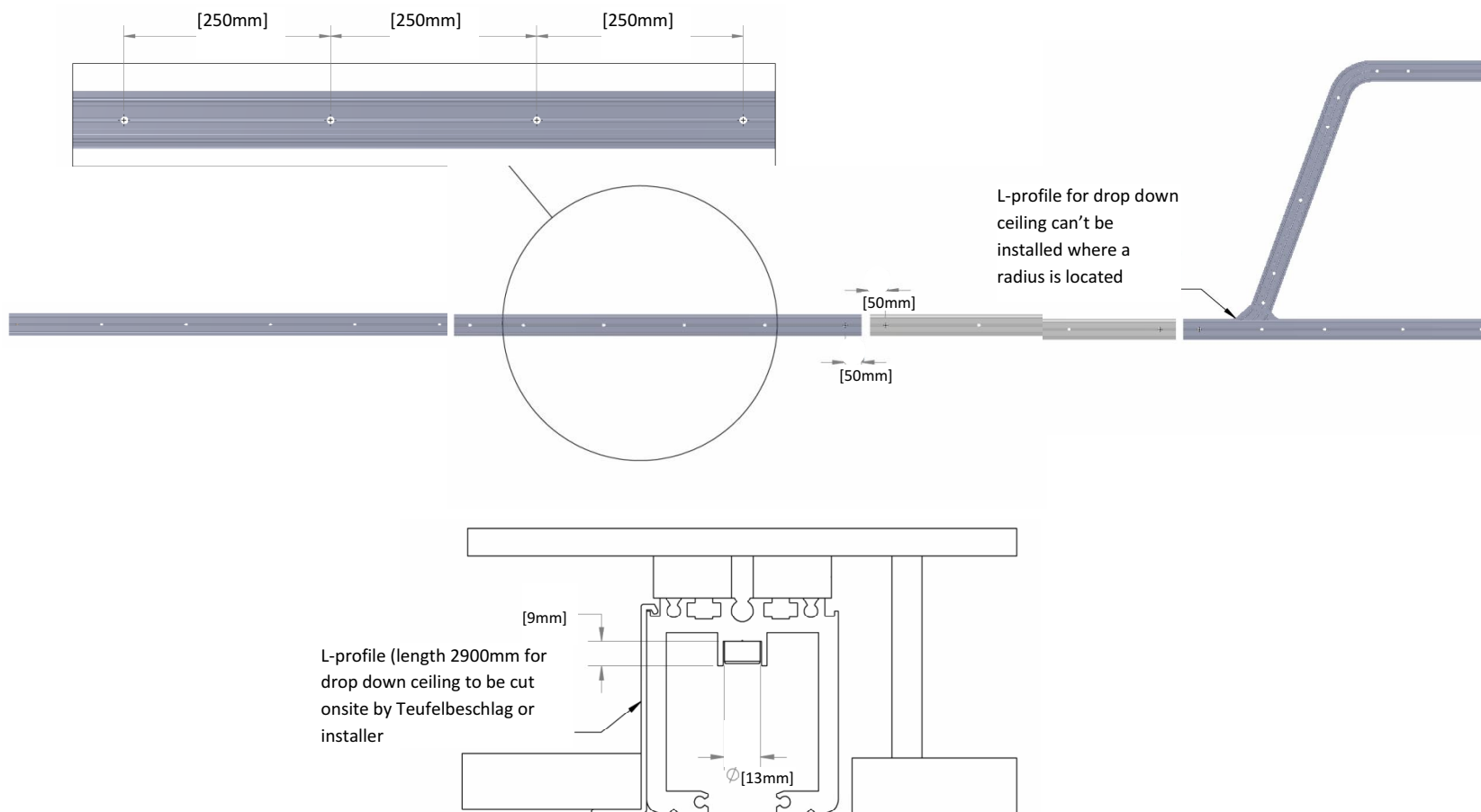
- Keep enough distance to your surroundings



Installation Manual sound protection system PrivaSEE

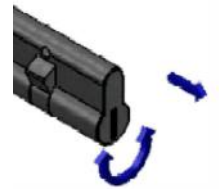
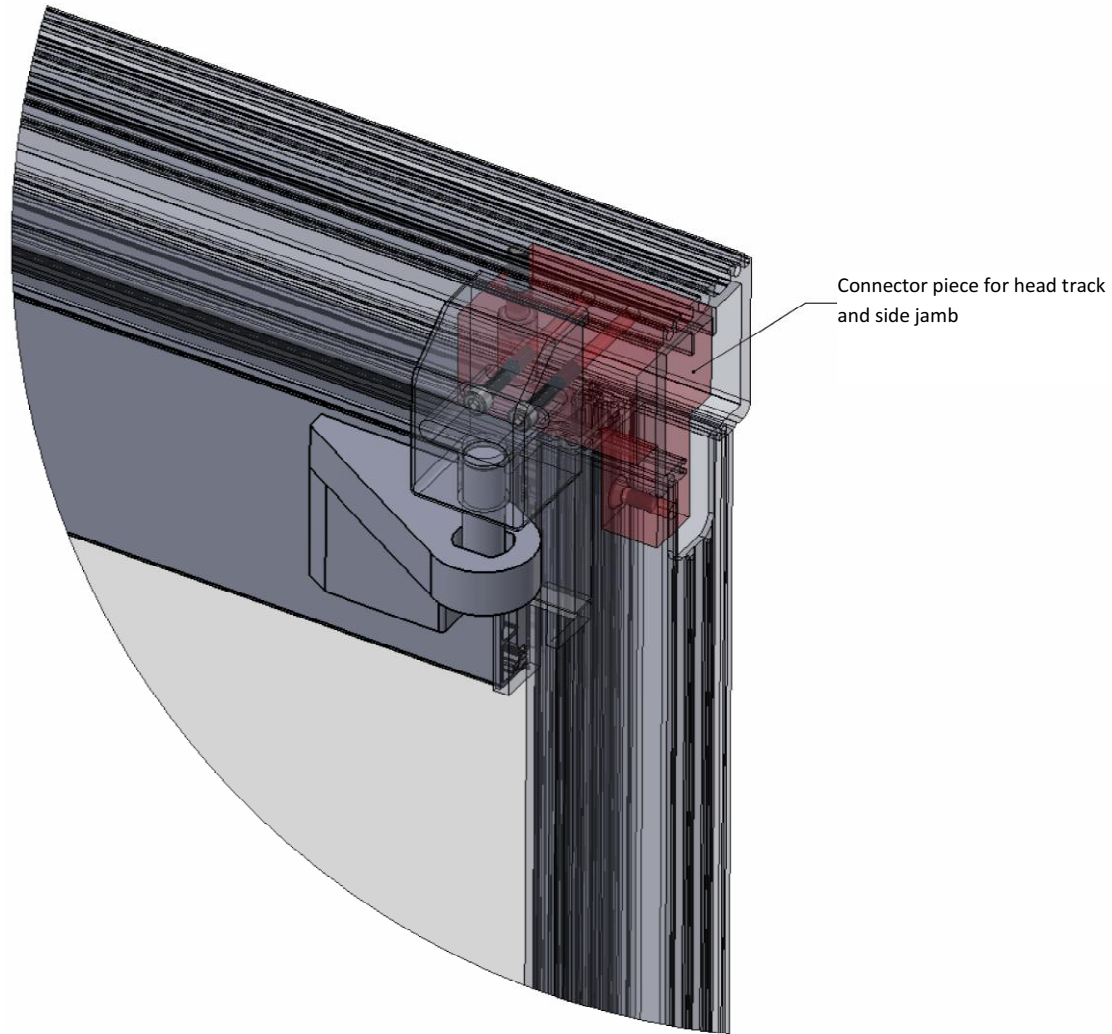
Head track in knocked down condition

- Head track comes pre-drilled (TEUFELBESCHLAG does not provide nor take responsibility for sizes, location or frequency of perimeter fasteners)



Installation Manual sound protection system PrivaSEE

Connector piece for head track and side jamb



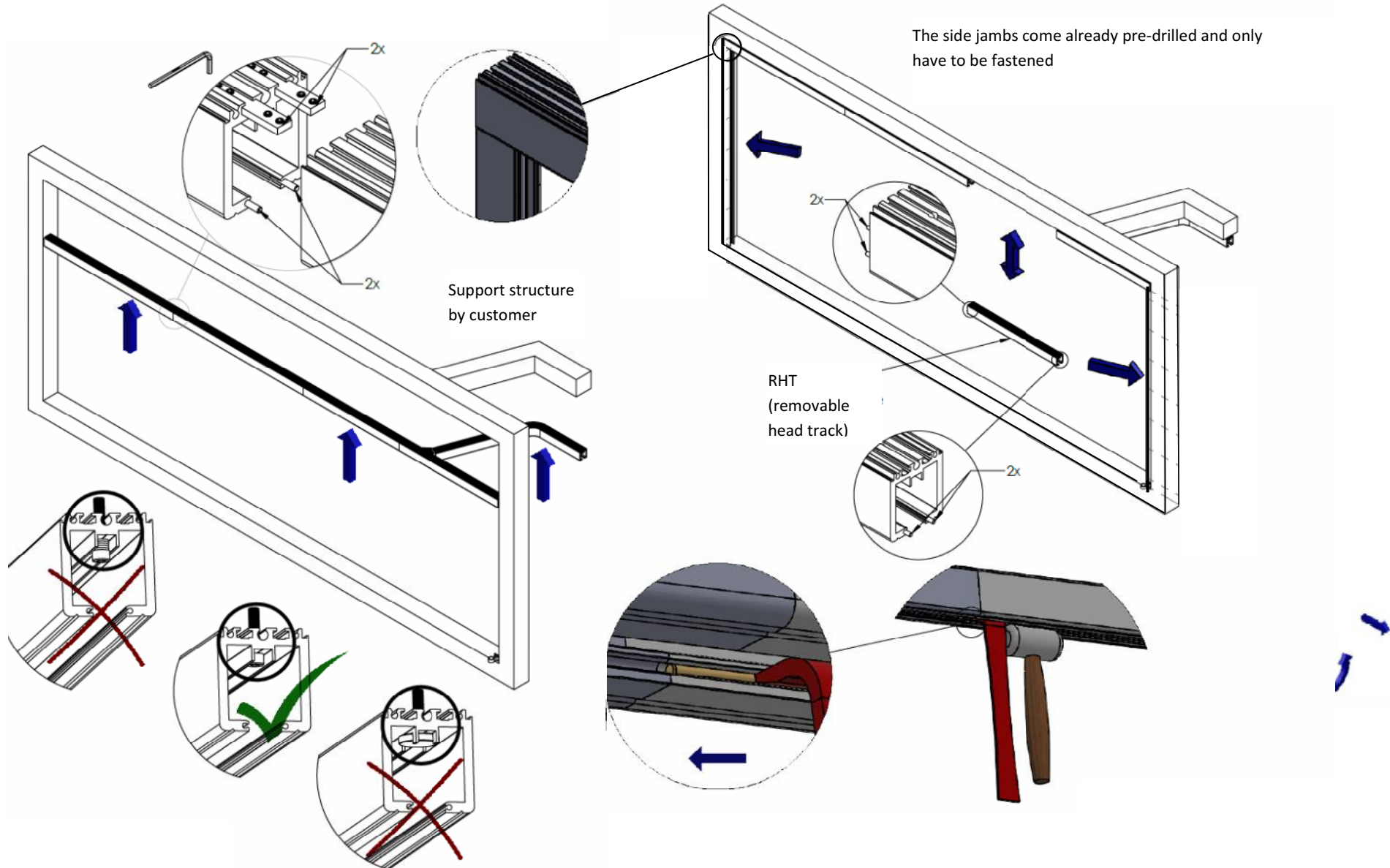
Installation Manual sound protection system PrivaSEE

TEUFELBESCHLAG

We make glass movable!



Head track assembly



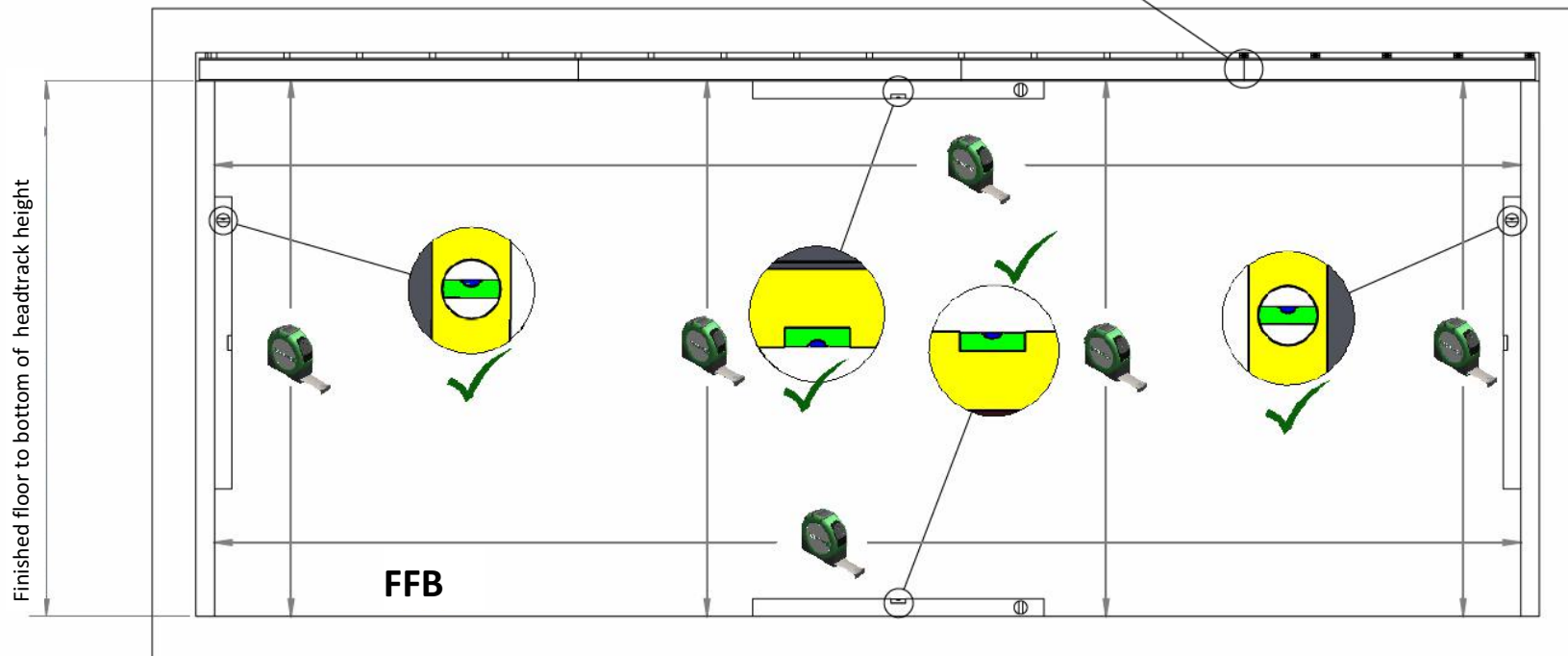
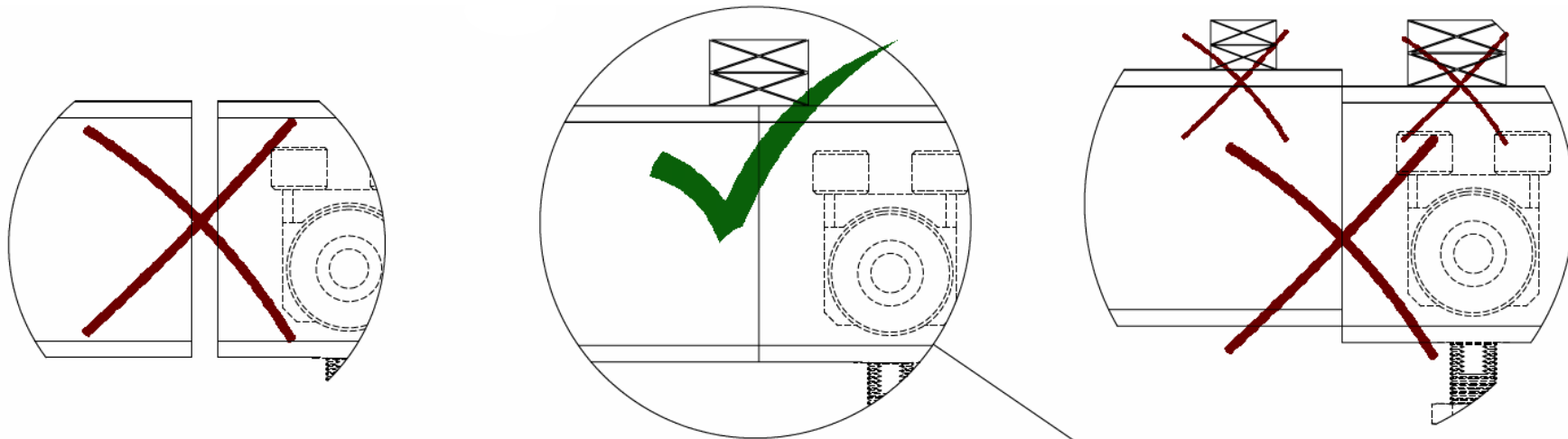
Installation Manual sound protection system PrivaSEE

TEUFELBESCHLAG

We make glass movable!



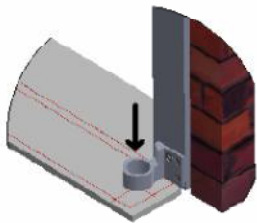
Head track shimming



Installation of floor closer for single action offset end panel

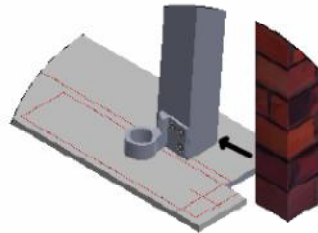
Step 1

Mark or measure position for centre point of floor closer axle



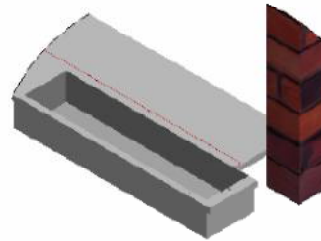
Step 2

take off side jamb and unscrew bottom hinge



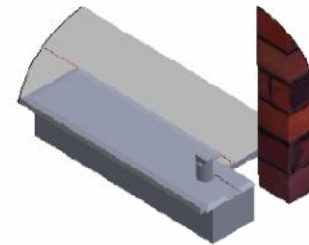
Step 3

cut out hole for floor closer



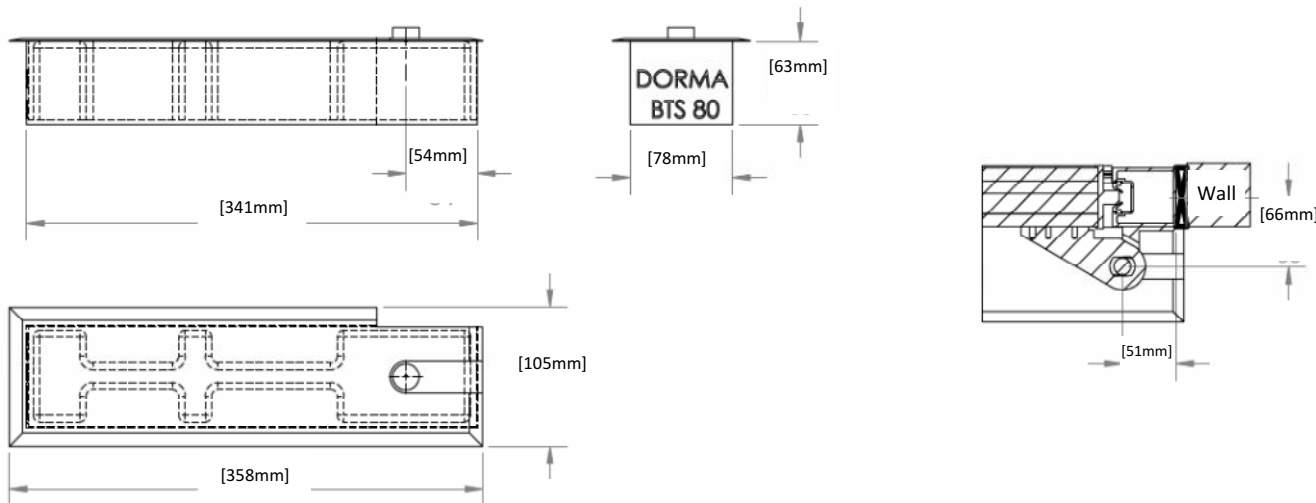
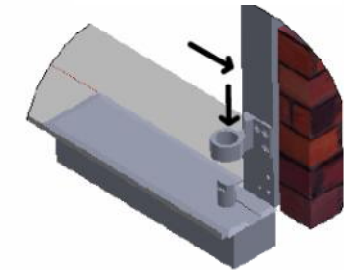
Step 4

install floor closer and fix it temporarily in place



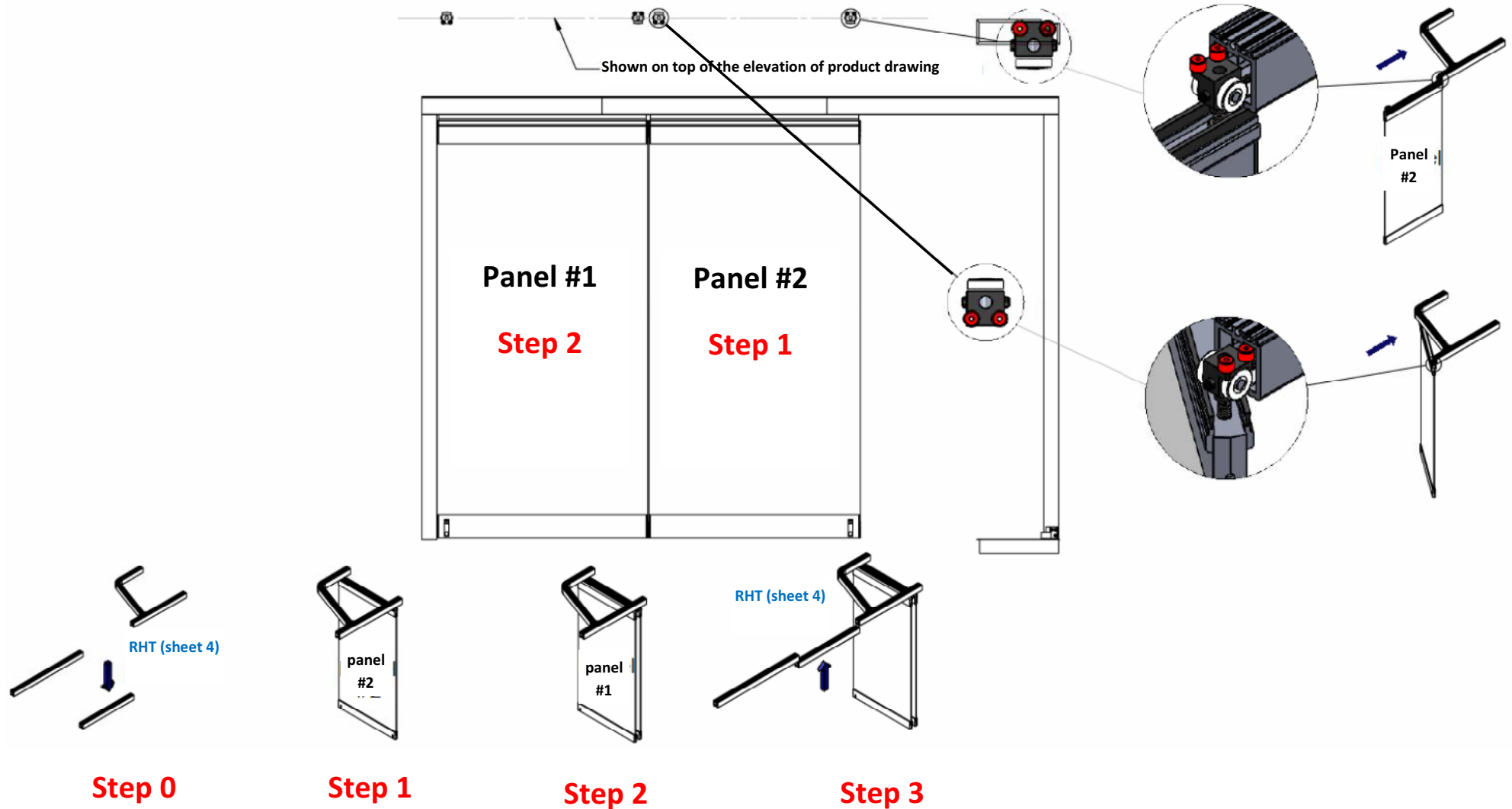
Step 5

Reinstall side jamb and screw bottom hinge back on



Installation Manual sound protection system PrivaSEE

Installation sequence of panels



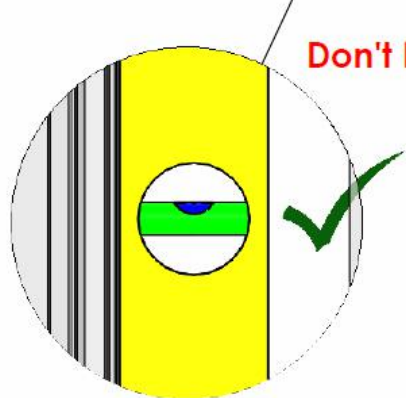
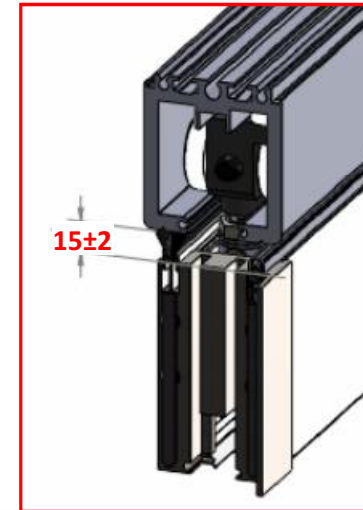
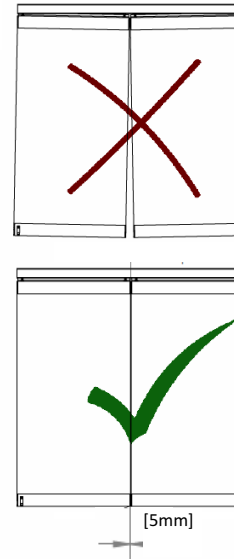
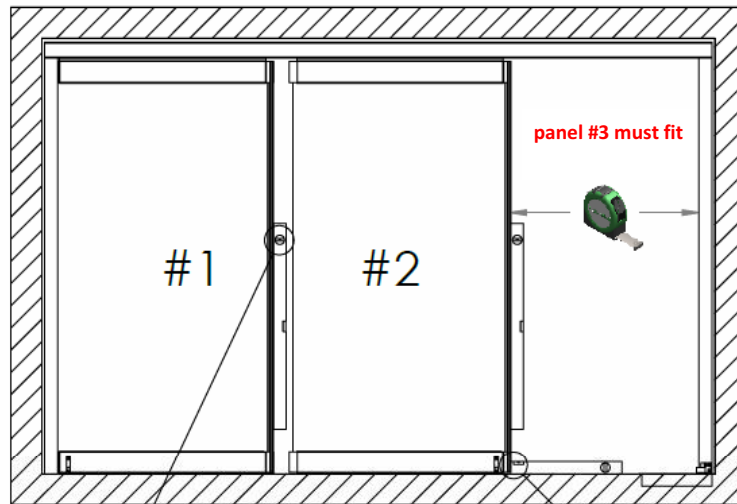
Panel installation sequence

Installation Manual sound protection system PrivaSEE

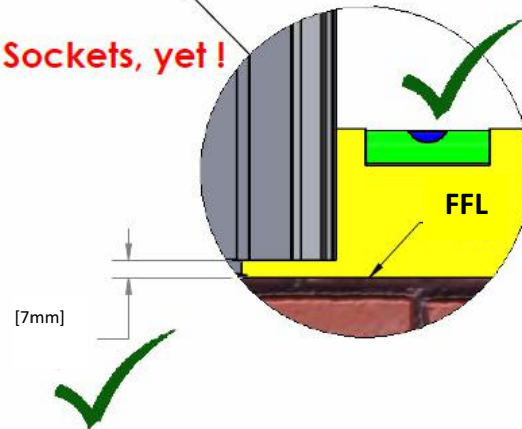
Panel alignment and height adjustment

TEUFELBESCHLAG

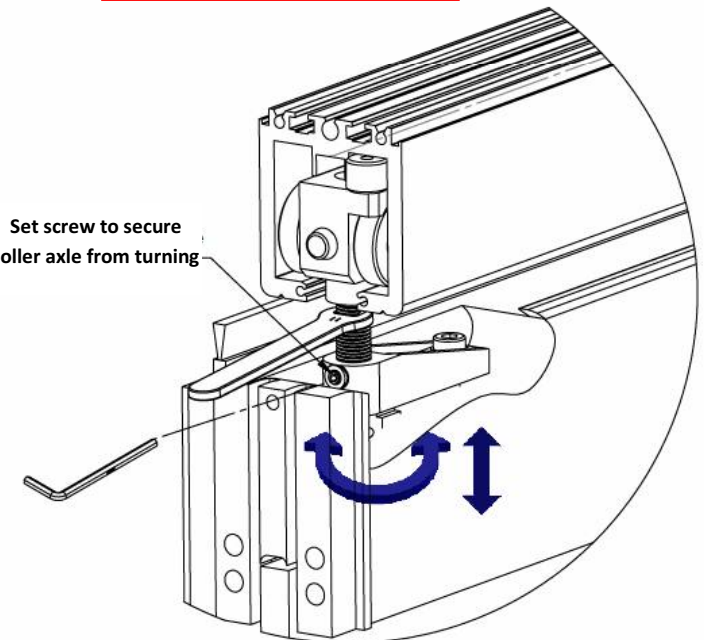
We make glass movable!



Don't Drill Holes for Sockets, yet!



Set screw to secure roller axle from turning



Installation Manual sound protection system PrivaSEE

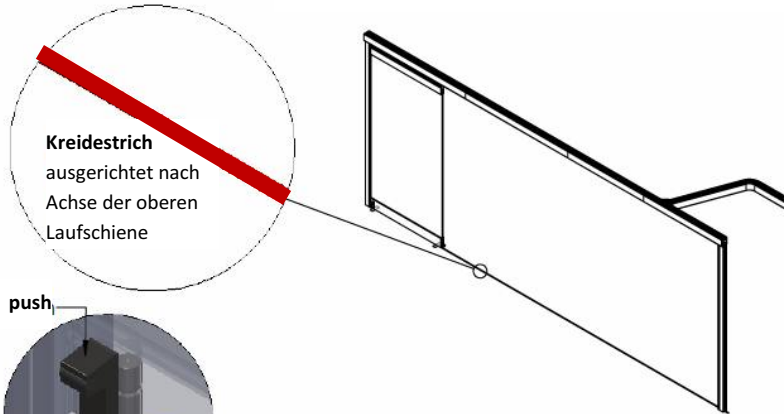
Bohrungen für Bodenbuchsen

TEUFELBESCHLAG

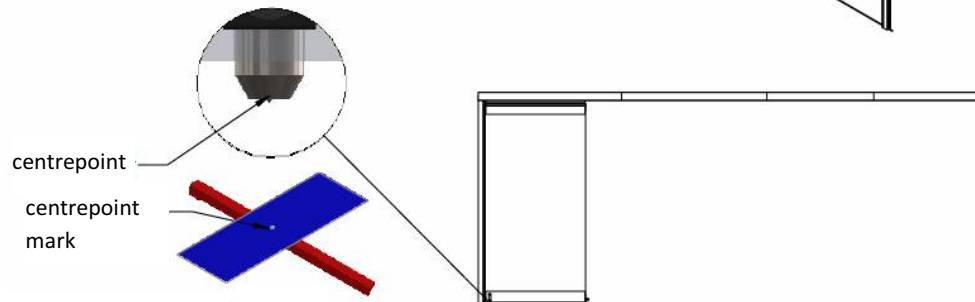
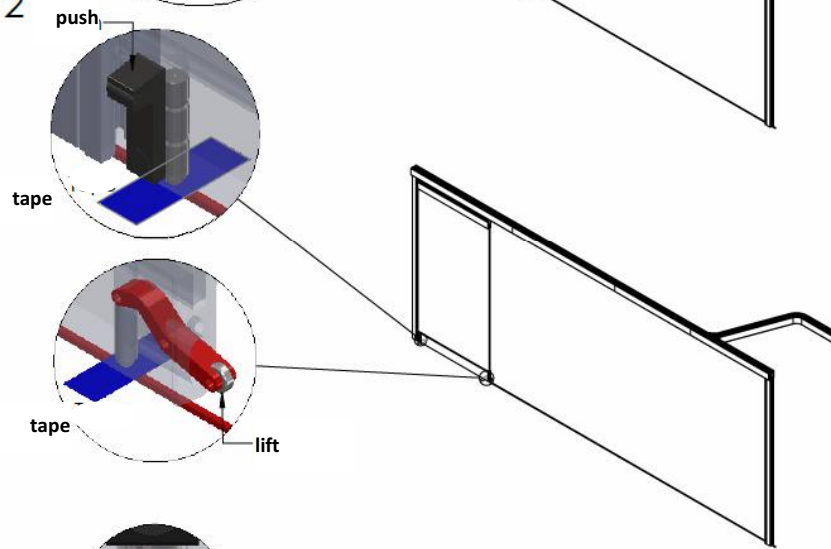
We make glass movable!



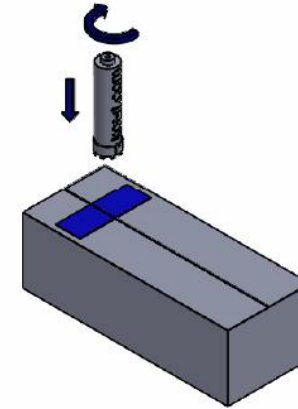
Step 1



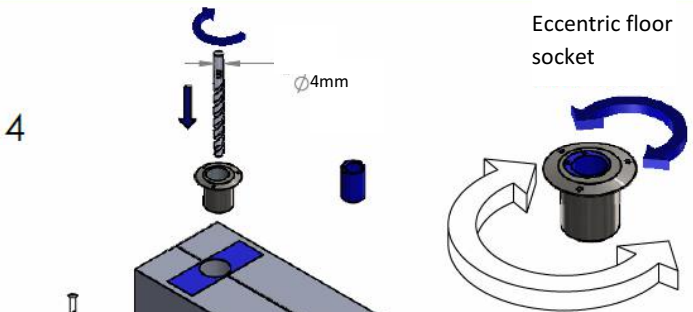
Step 2



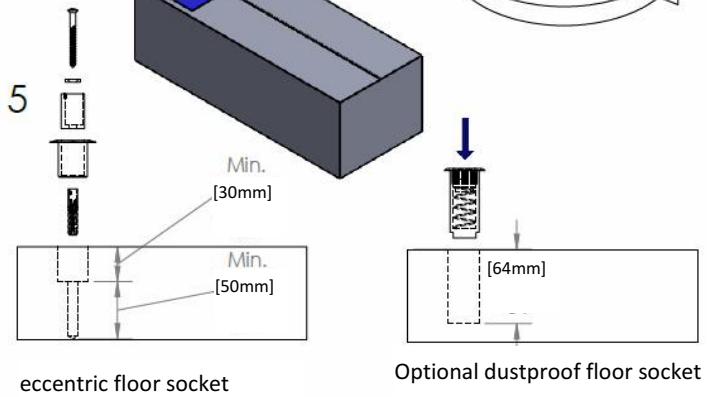
Step 3



Step 4



Step 5



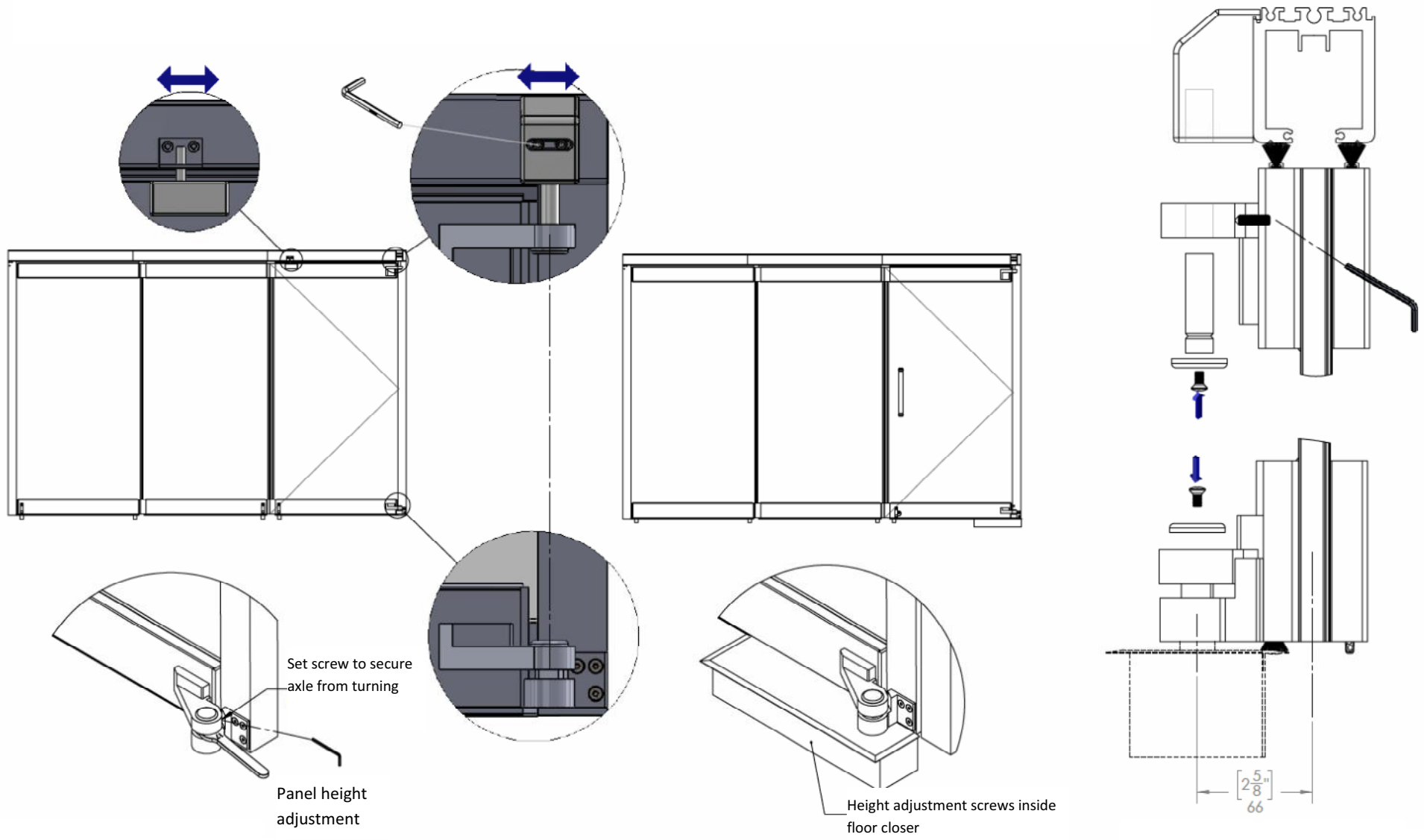
Installation Manual sound protection system PrivaSEE

TEUFELBESCHLAG



We make glass movable!

Panel installation for non-entry single action offset end panel and single action end panel with floor closer



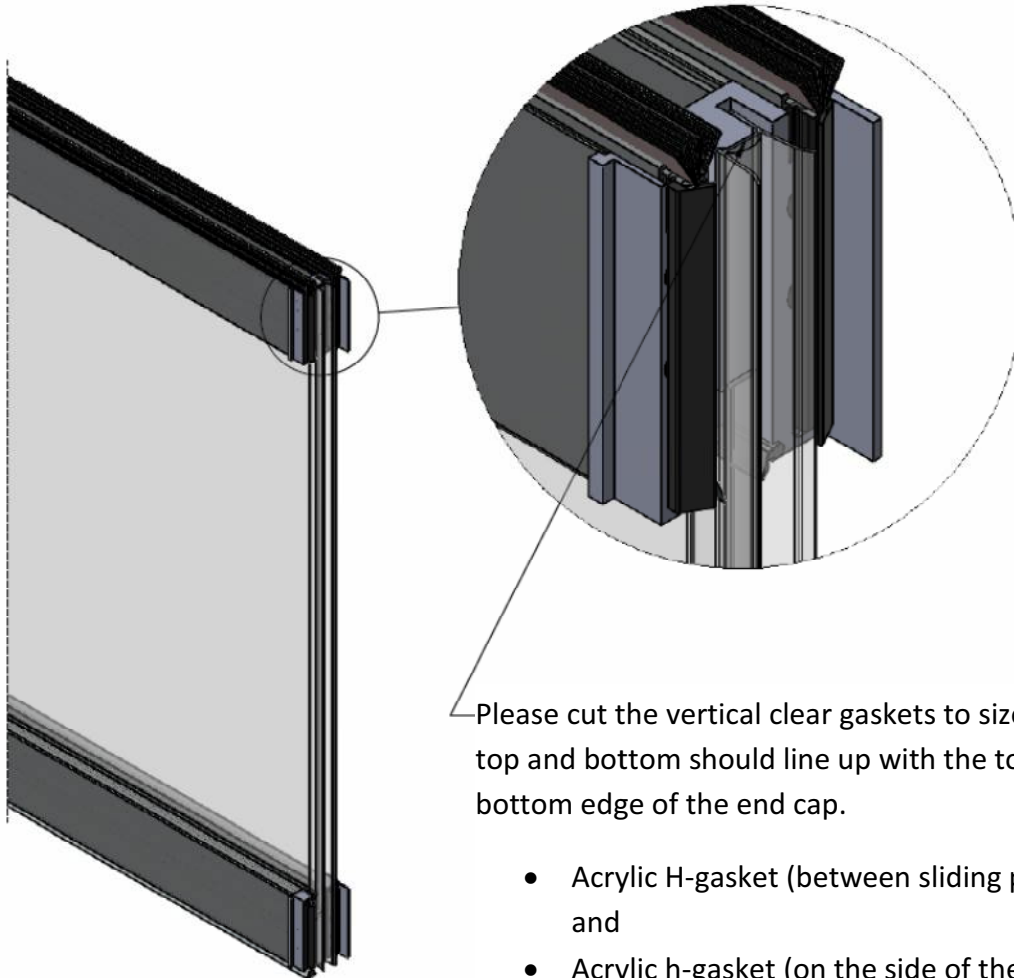
Installation Manual sound protection system PrivaSEE

TEUFELBESCHLAG

We make glass movable!

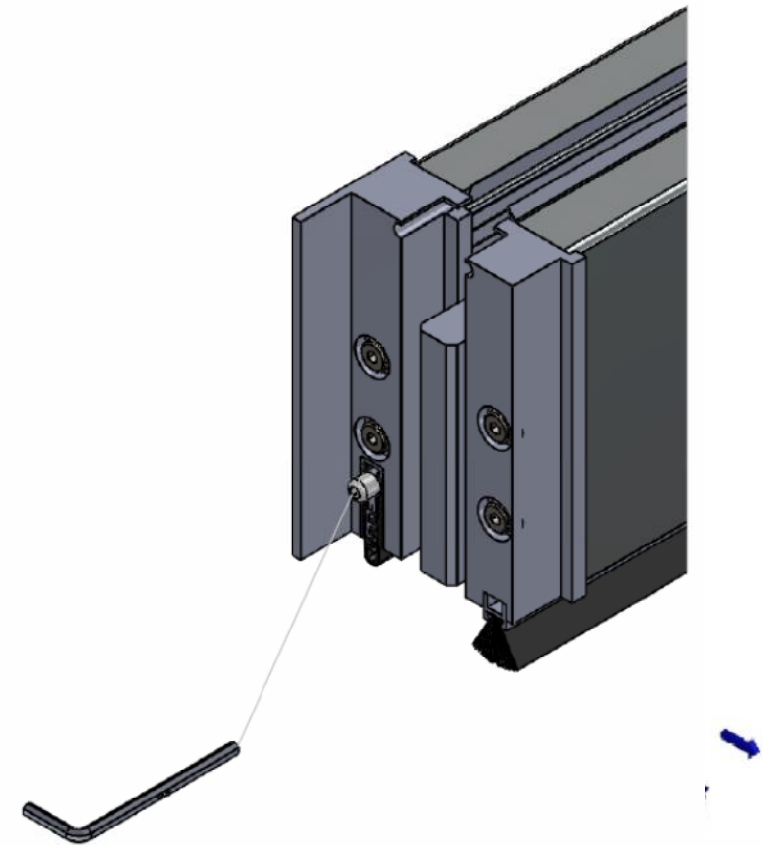


Field applying vertical H- and h- gaskets and height adjustment of bottom compression seal



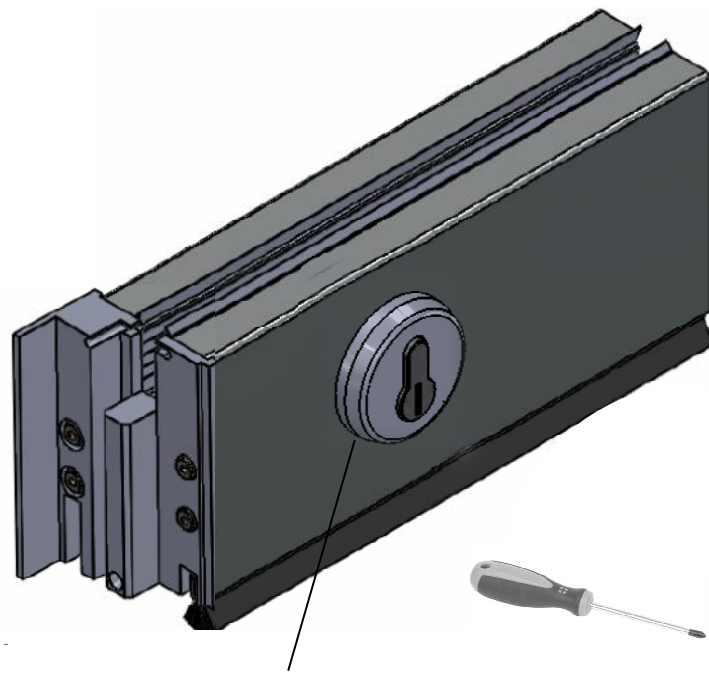
Please cut the vertical clear gaskets to size onsite; top and bottom should line up with the top and bottom edge of the end cap.

- Acrylic H-gasket (between sliding panels) and
- Acrylic h-gasket (on the side of the sliding panel meeting the single action end panel with offset hinge)

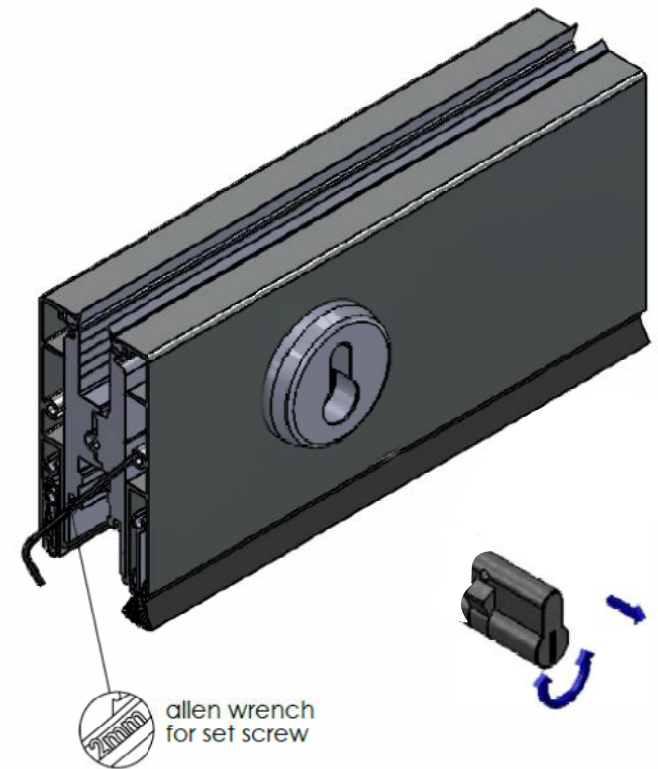
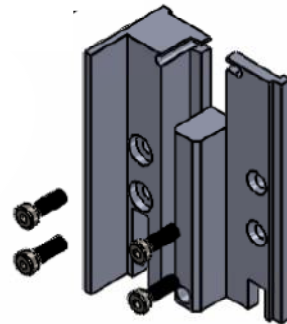


Installation Manual sound protection system PrivaSEE

Installation of half cylinder (on inside only)



half cylinder on inside only



2mm allen wrench for set screw