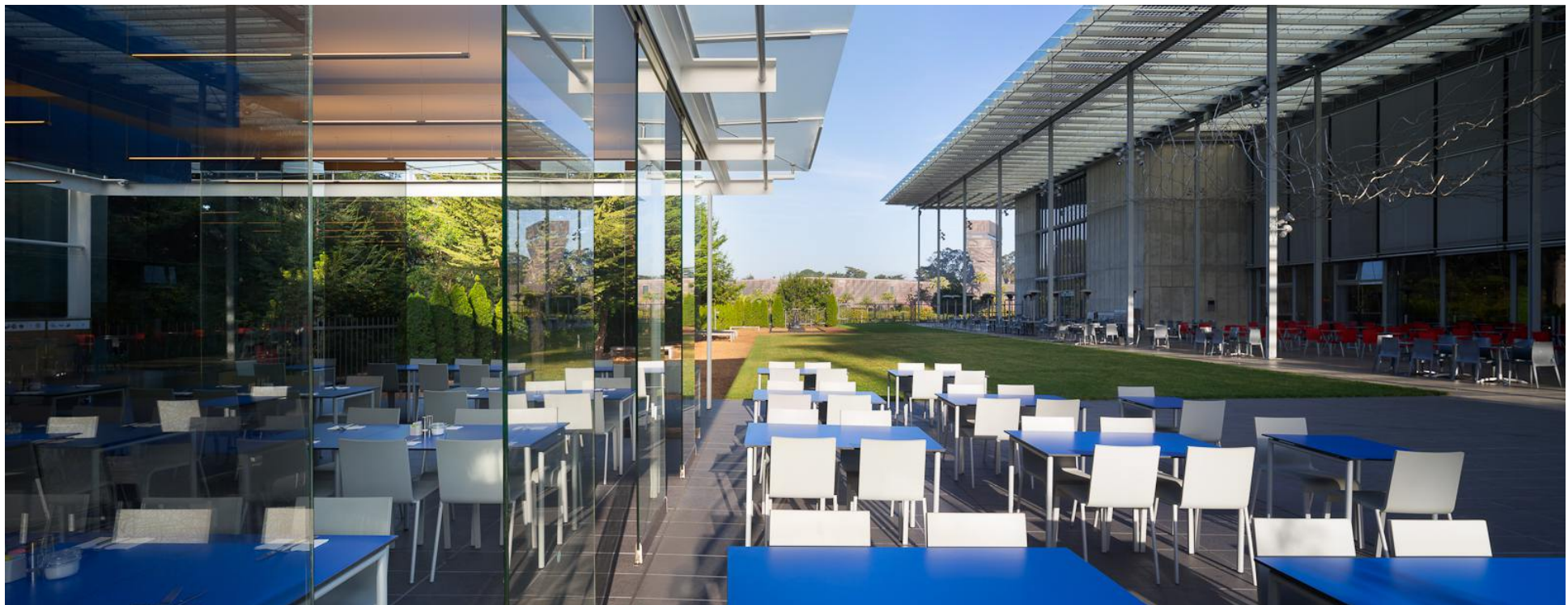


Installation Manual

Stacking sliding units Series 750

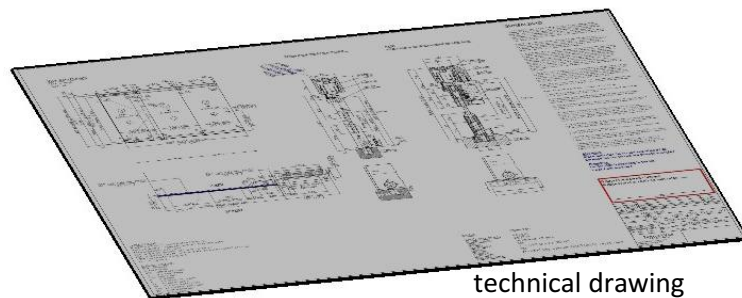
(same applies for Series 700 and 800)



Installation Manual stacking-sliding units Series 750

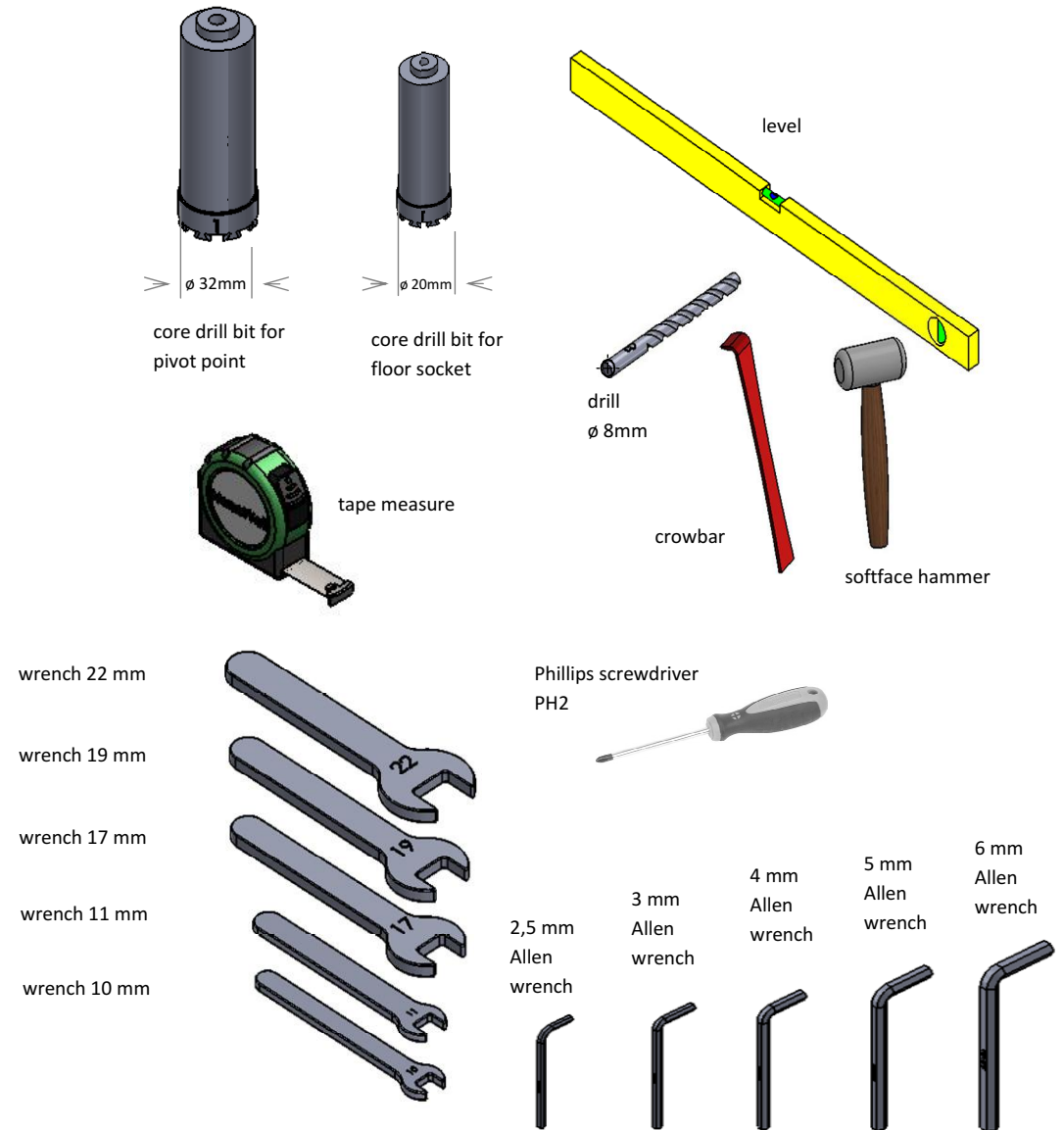
Content

- Required tools.....2
- Rough opening and unit dimensions.....3
- Individual headtrack.....4
- Assembly of headtrack.....5
- Headtrack shimming.....6
- Installation sequence of panels.....7
- Panel alignment and height adjustment.....8
- Stopper installation.....9
- Drilling holes for floor sockets.....10
- Pivot box installation and adjustment of locking receiver.....11
- Installation of floor support for double action end panel.....12
- Installation of pin carrier within headtrack for double action end panel.....13
- Installation of double action end panel.....14
- Installation of floor support and bottom door closer for single action end panel.....15
- Installation of profile cylinder.....16
- Height adjustment of top brush.....17



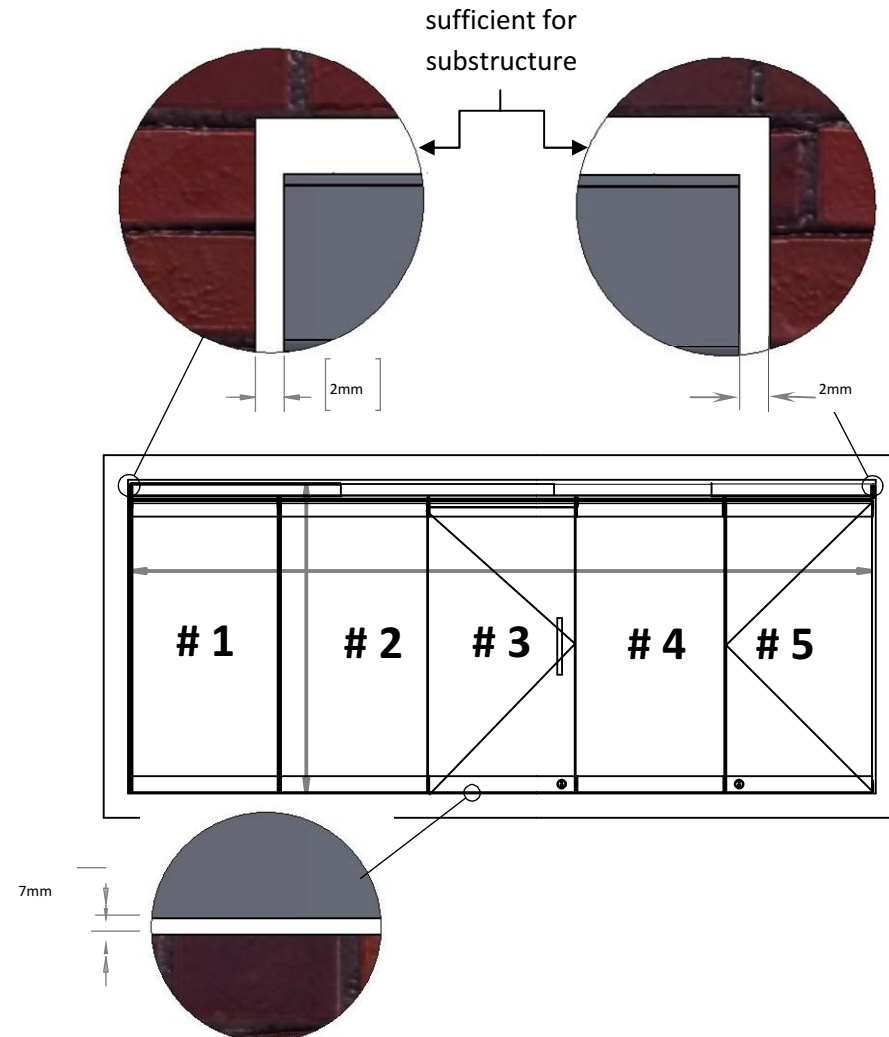
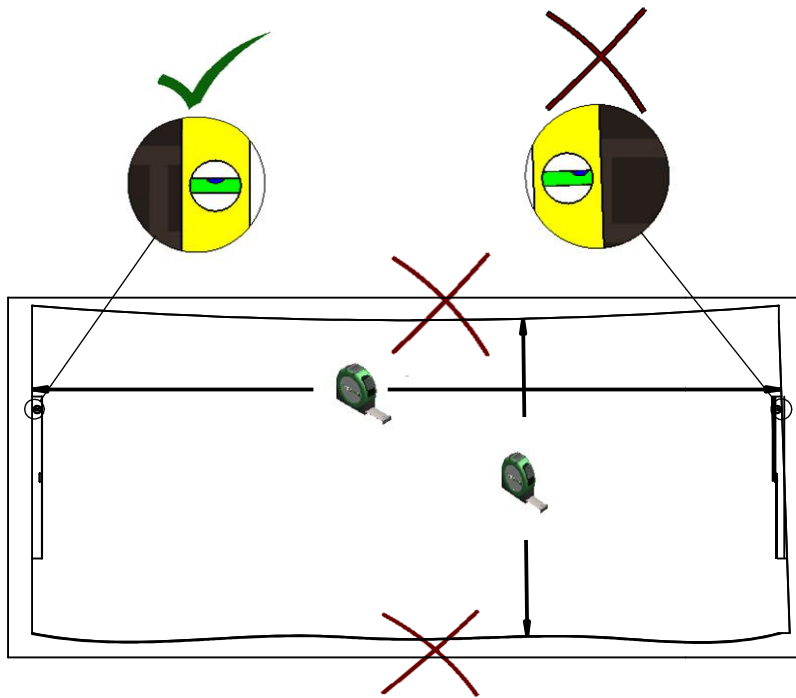
technical drawing

Required tools



Rough opening and unit dimensions

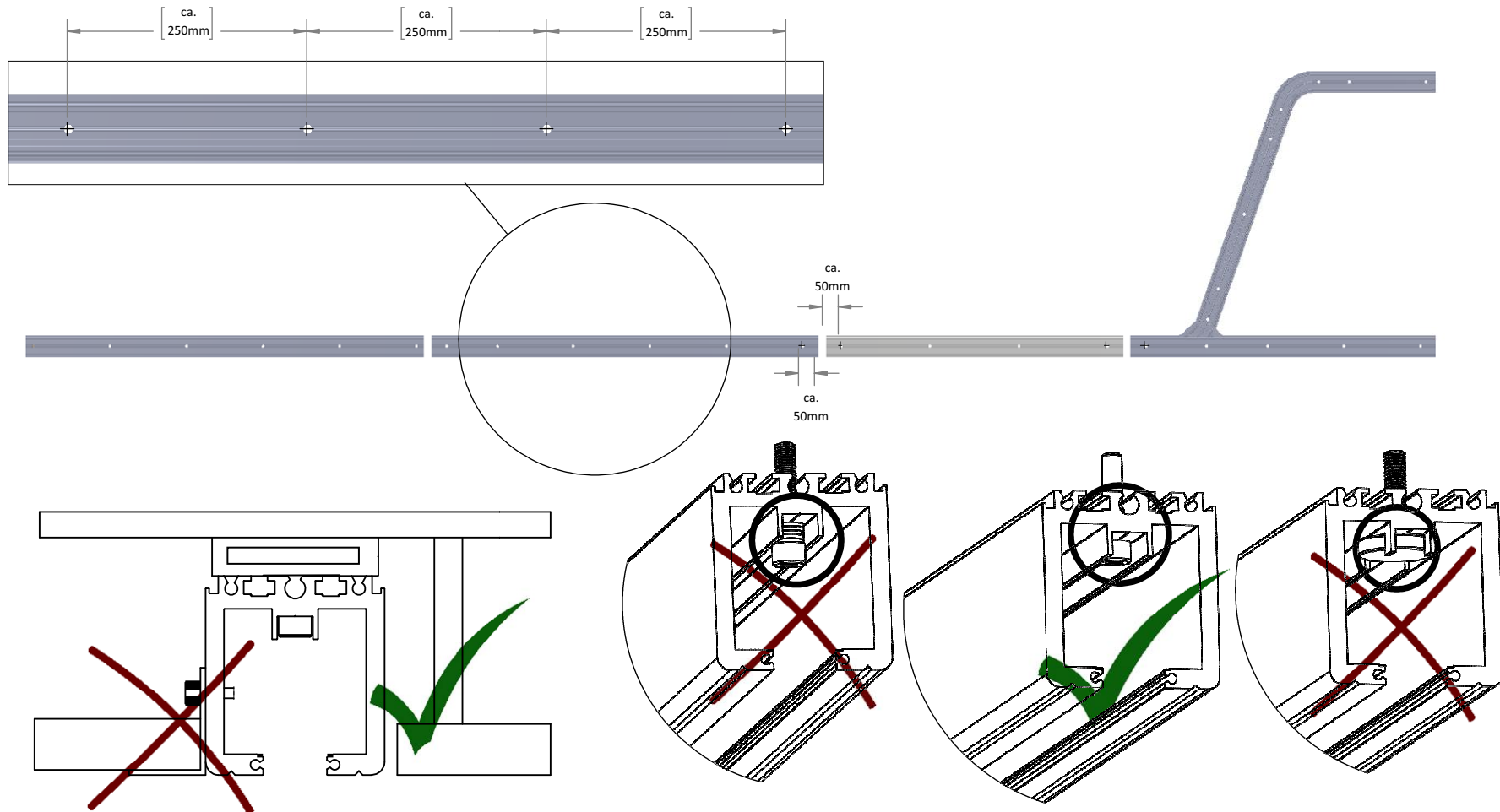
- Keep enough distance to your surroundings



Installation Manual stacking-sliding units Series 750

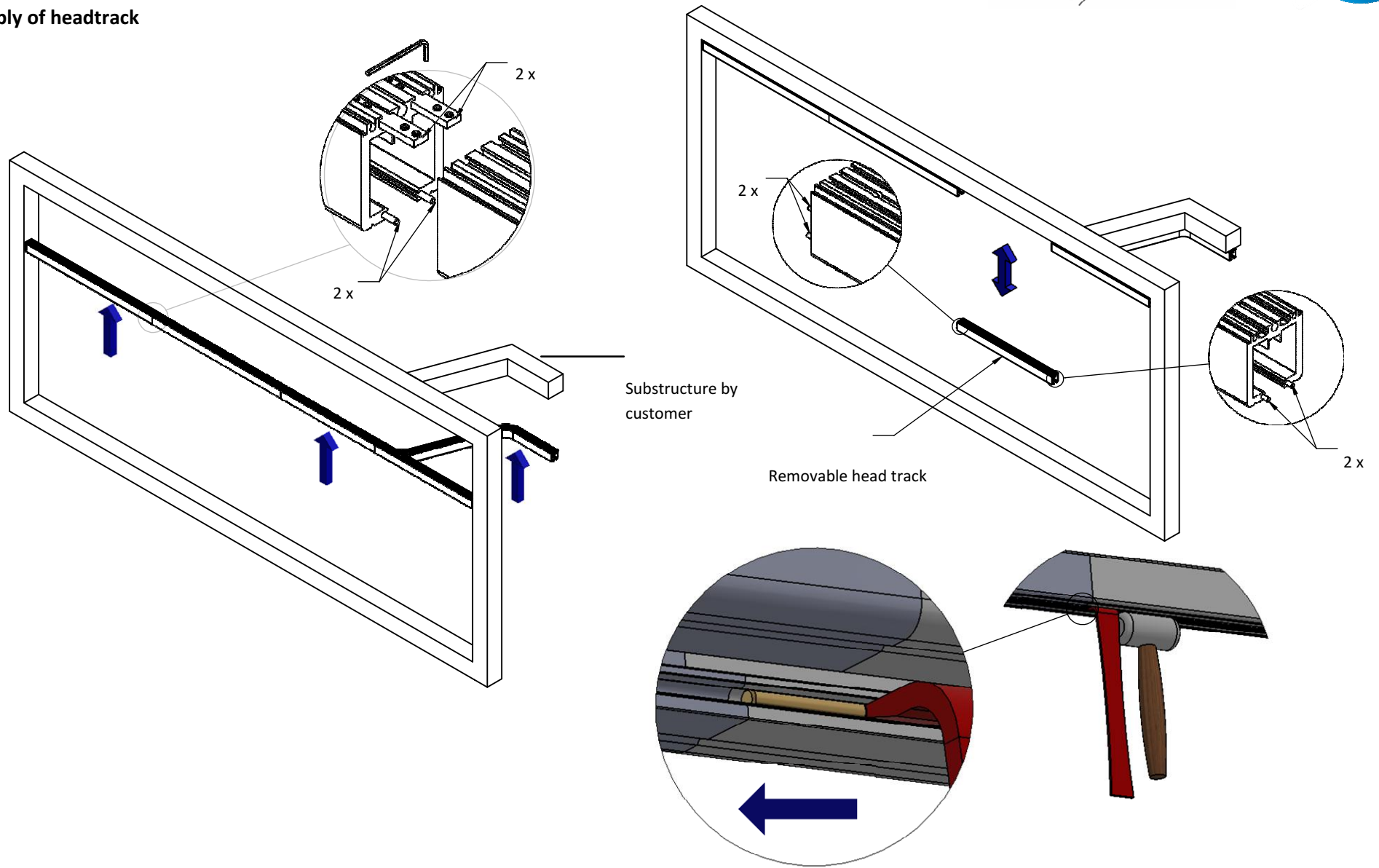
Individual headtrack

- Headtrack comes pre-drilled
(TEUFELBESCHLAG does not provide nor take responsibility for sizes, location or frequency of perimeter fasteners)

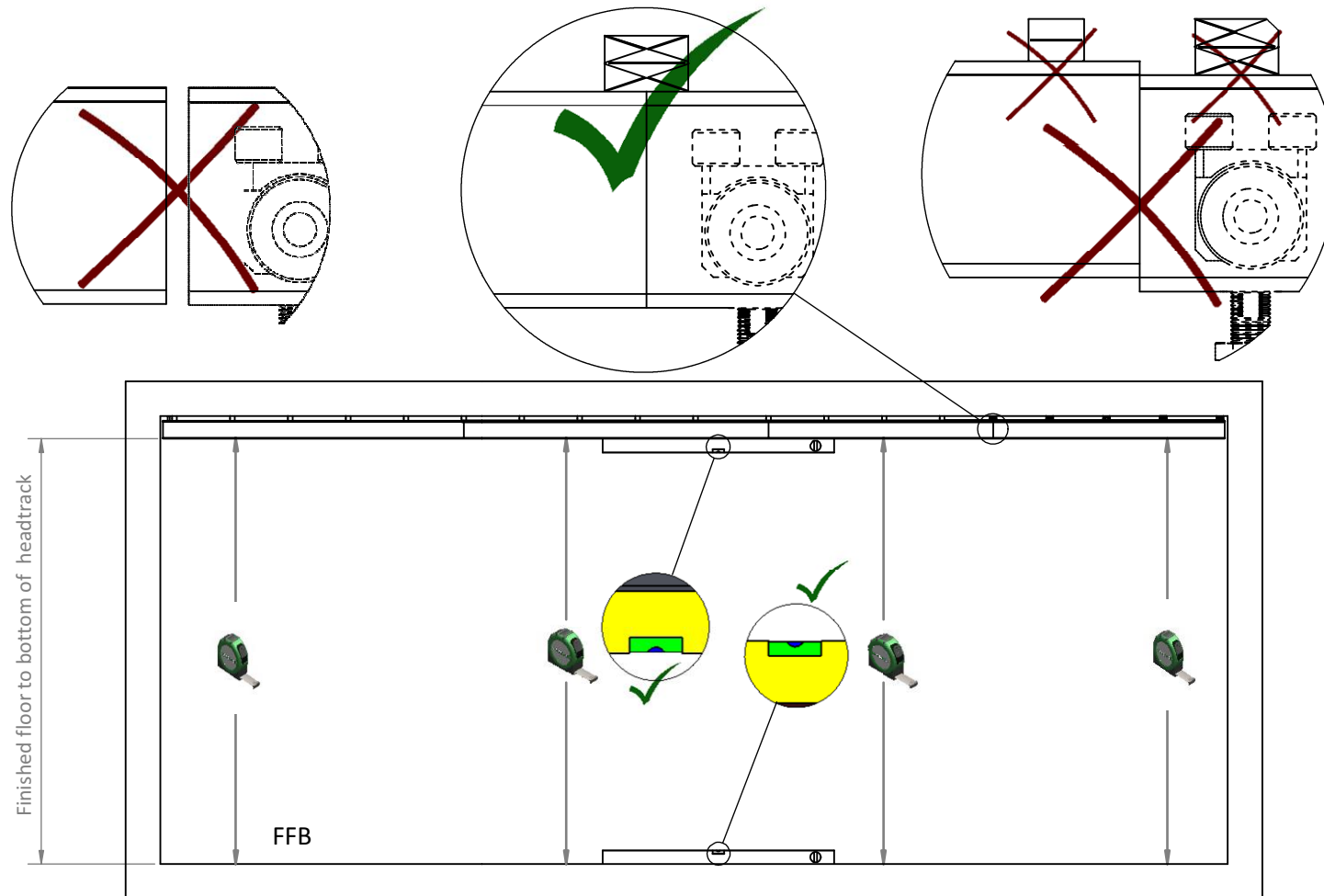


Installation Manual stacking-sliding units Series 750

Assembly of headtrack

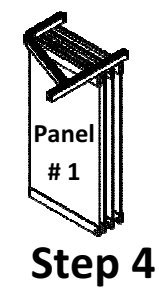
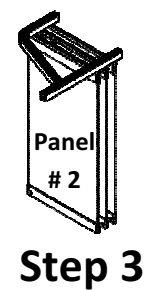
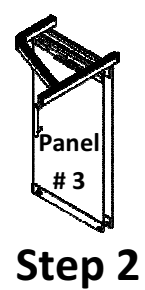
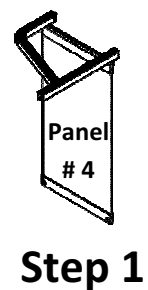
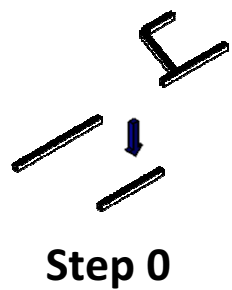
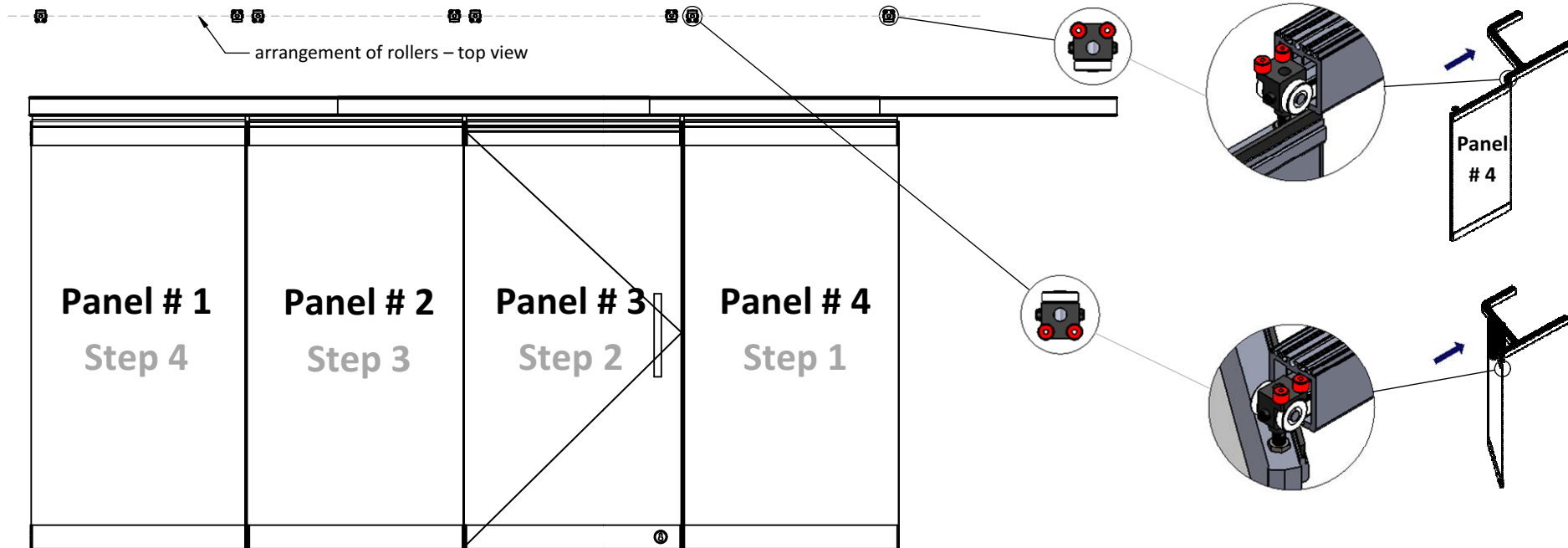


Headtrack shimming



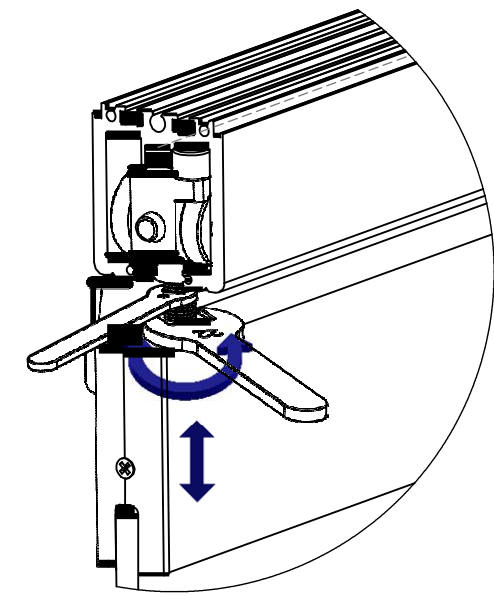
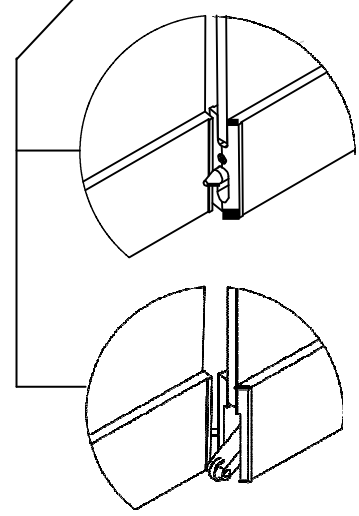
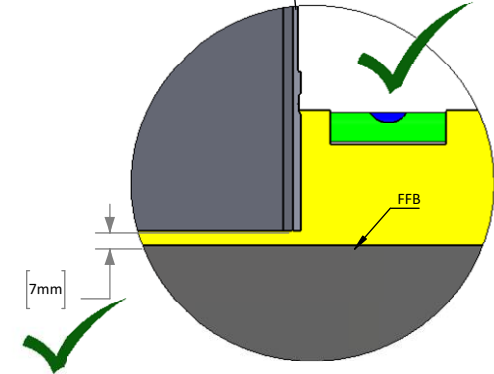
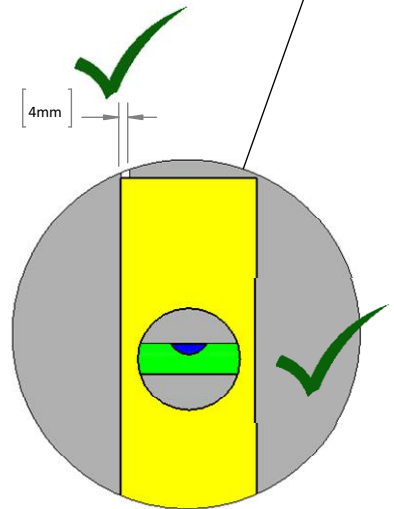
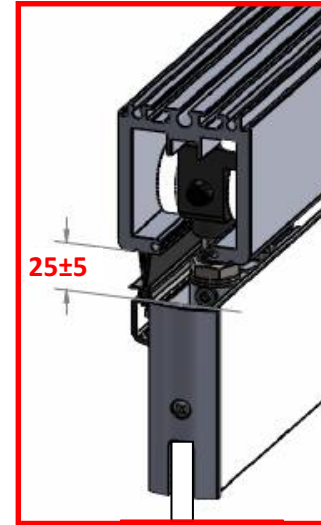
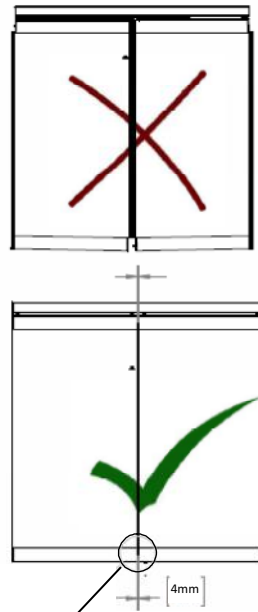
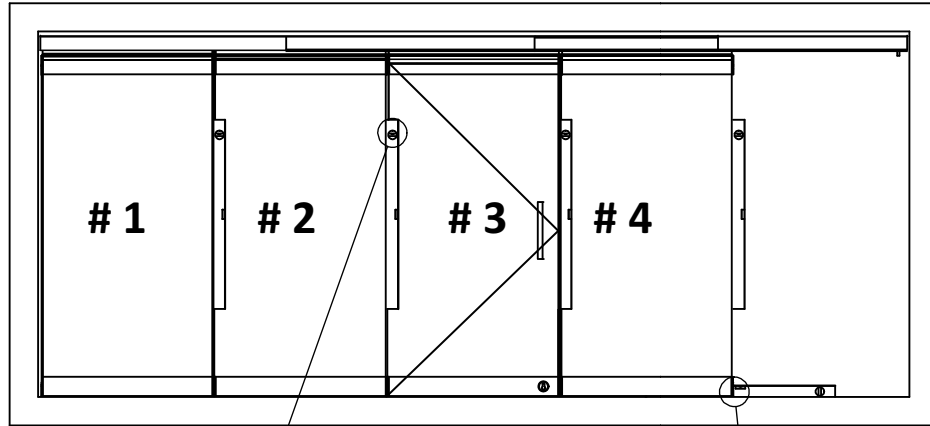
Installation Manual stacking-sliding units Series 750

Installation sequence of panels



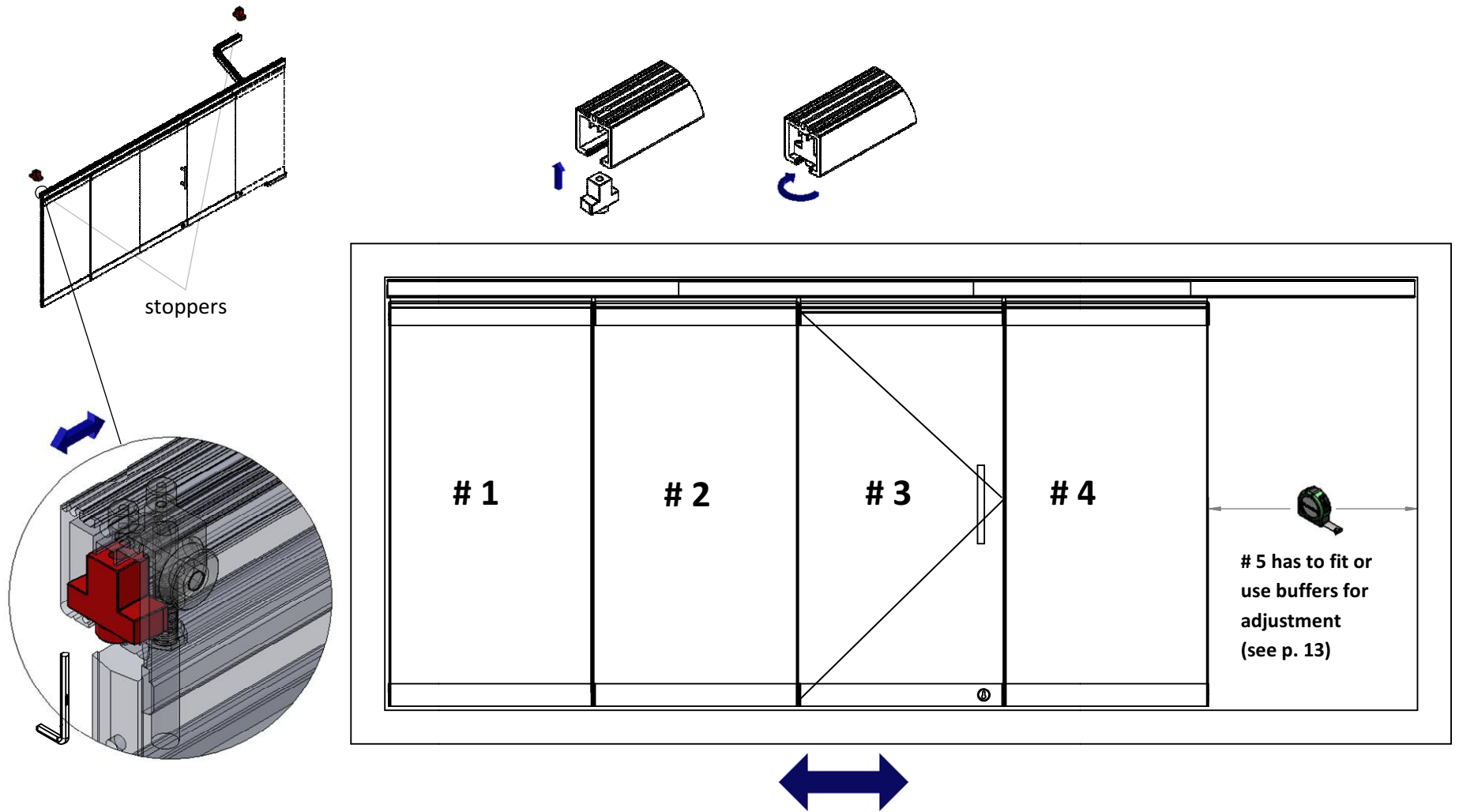
Installation Manual stacking-sliding units Series 750

Panel alignment and height adjustment



Installation Manual stacking-sliding units Series 750

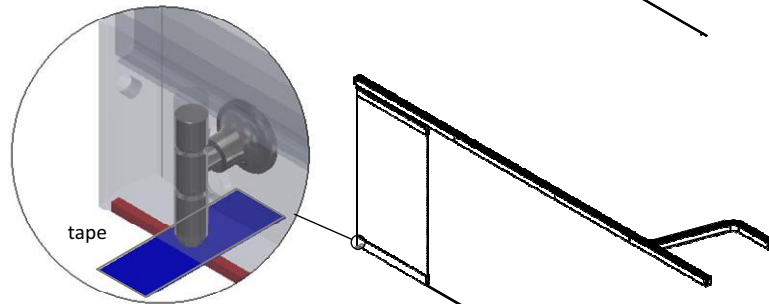
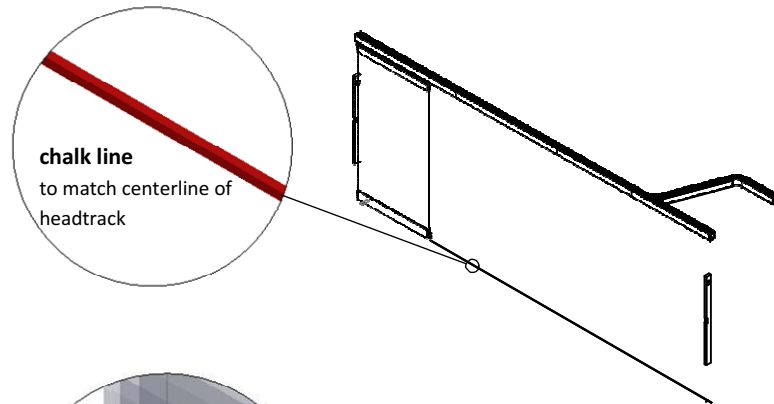
Stopper installation



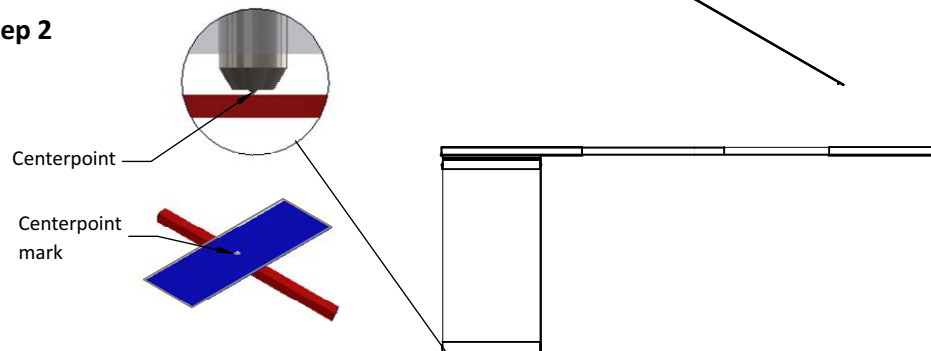
Installation Manual stacking-sliding units Series 750

Drilling holes for floor socket

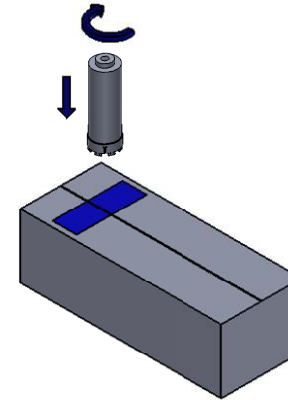
Step 1



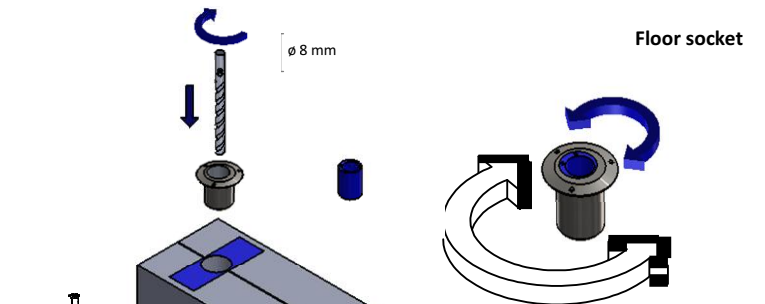
Step 2



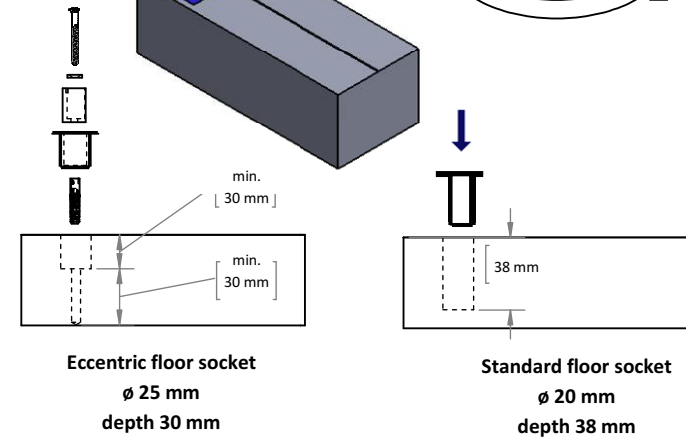
Step 3



Step 4

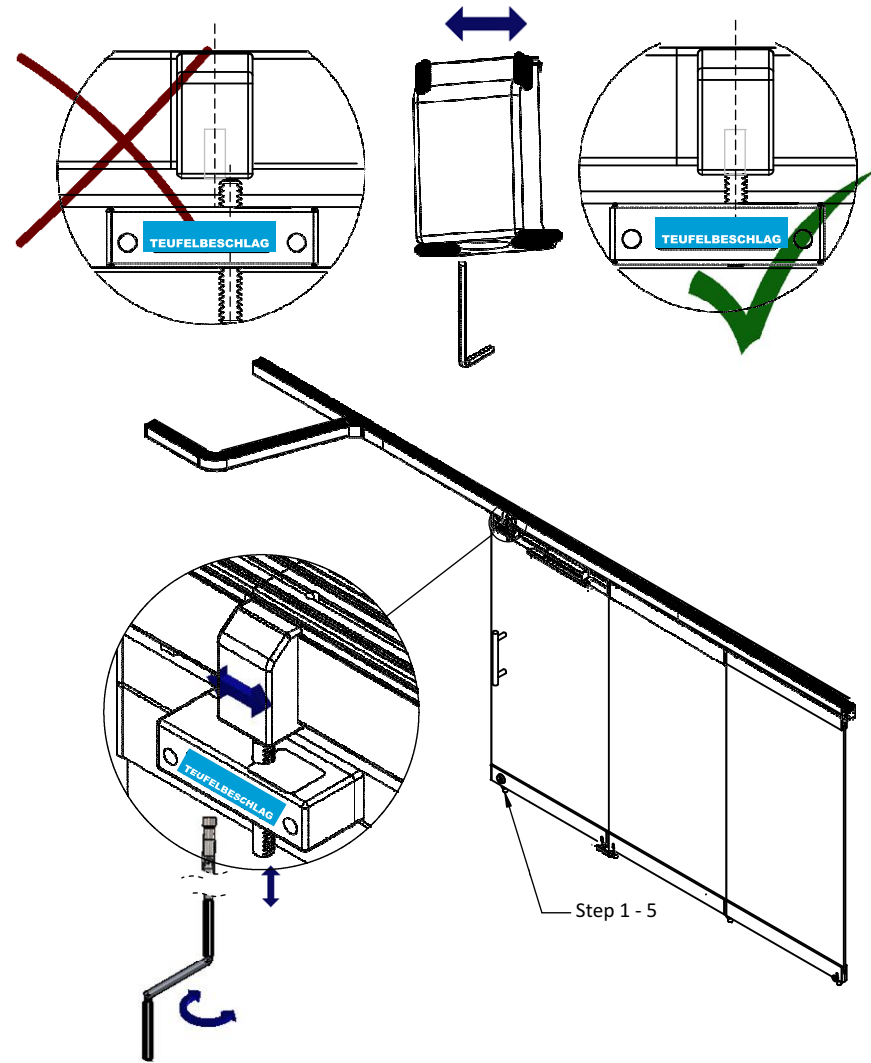
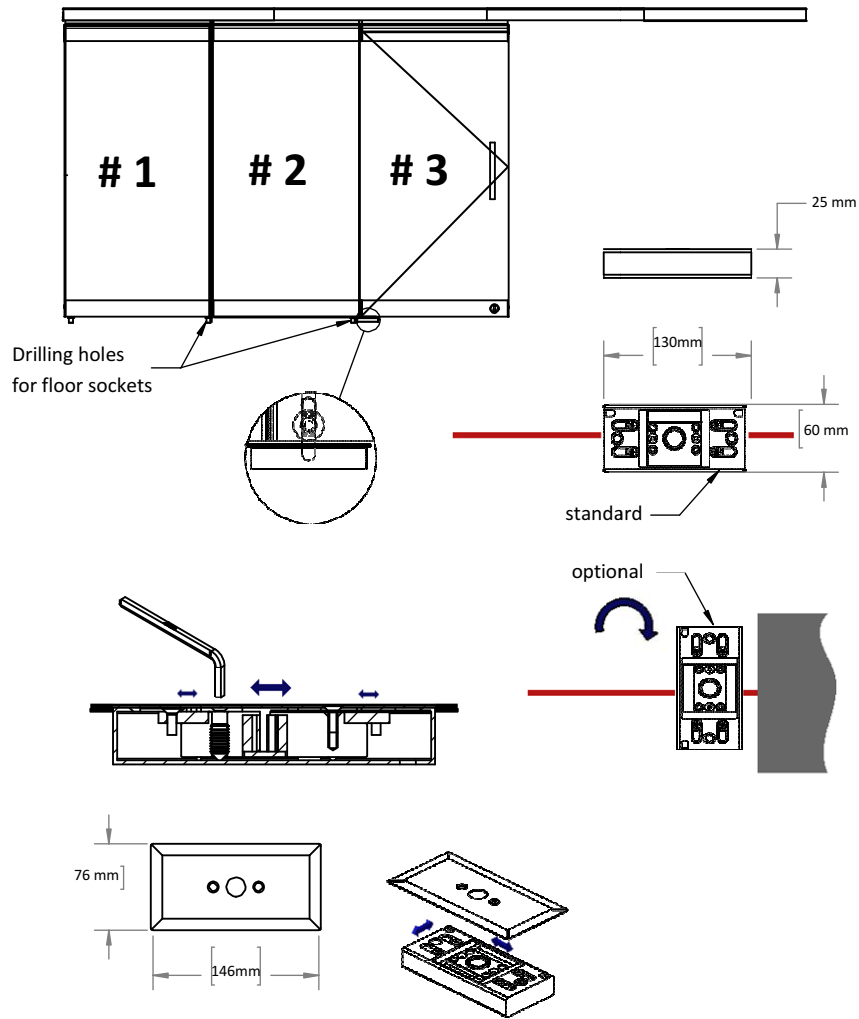


Step 5



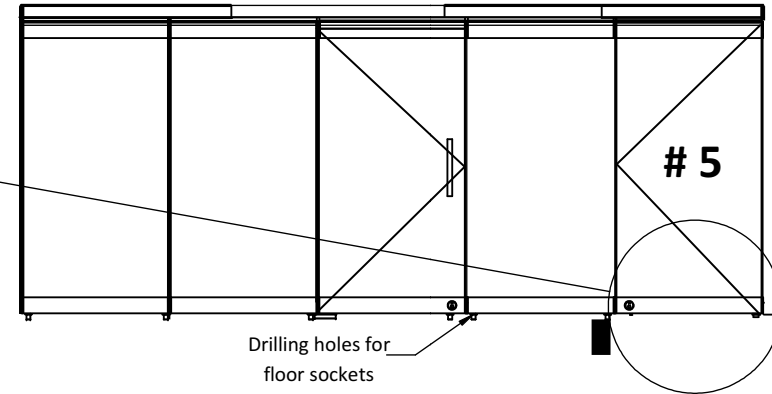
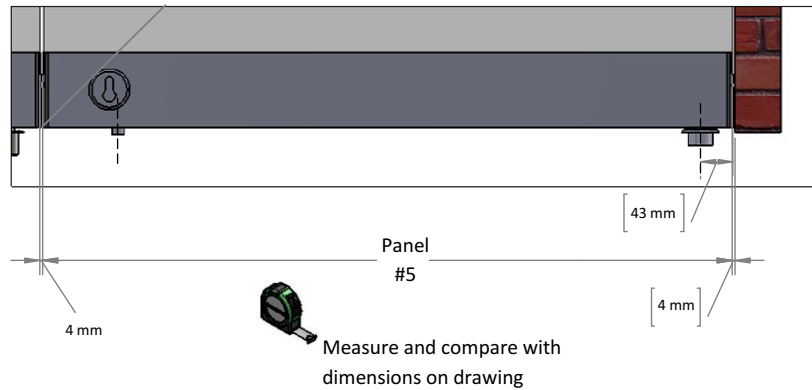
Installation Manual stacking-sliding units Series 750

Pivot box installation and adjustment of locking receiver

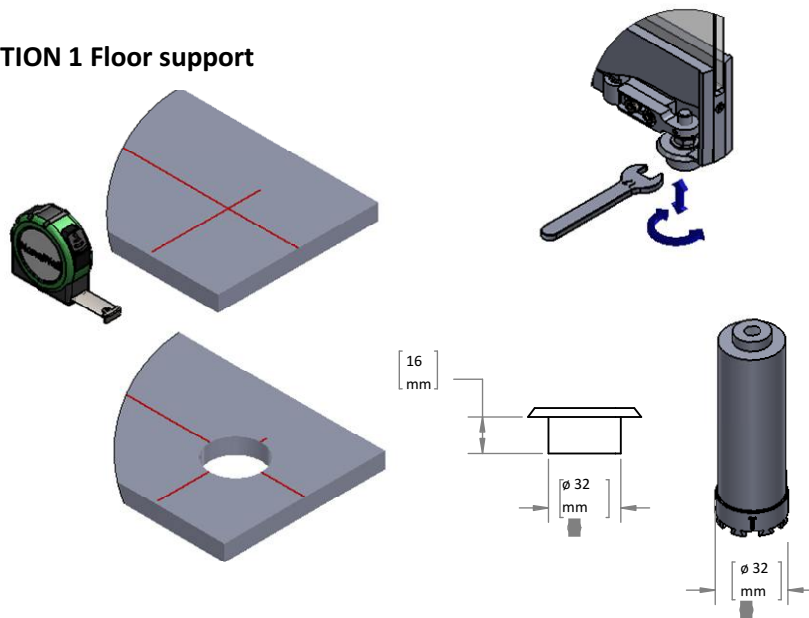


Installation Manual stacking-sliding units Series 750

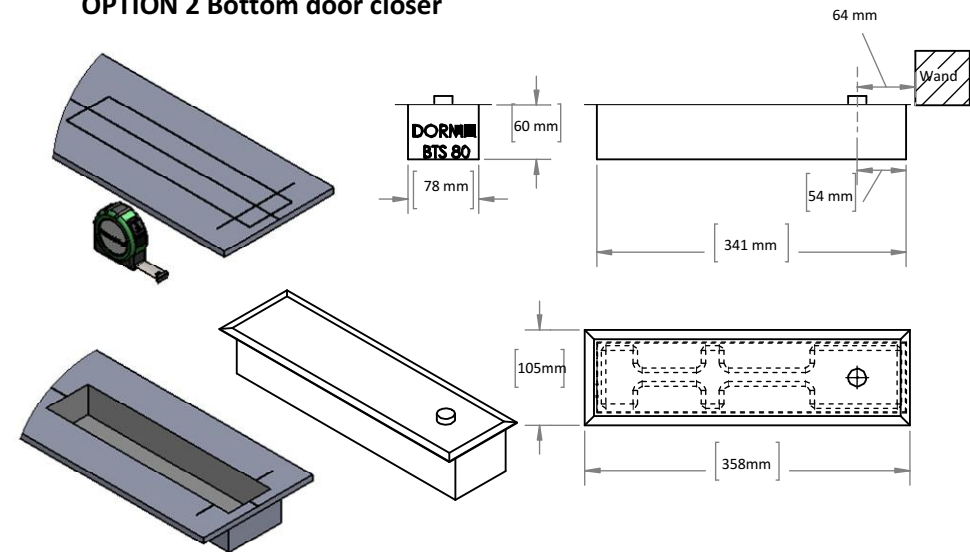
Installation of floor support and bottom door closer for double action end panel



OPTION 1 Floor support

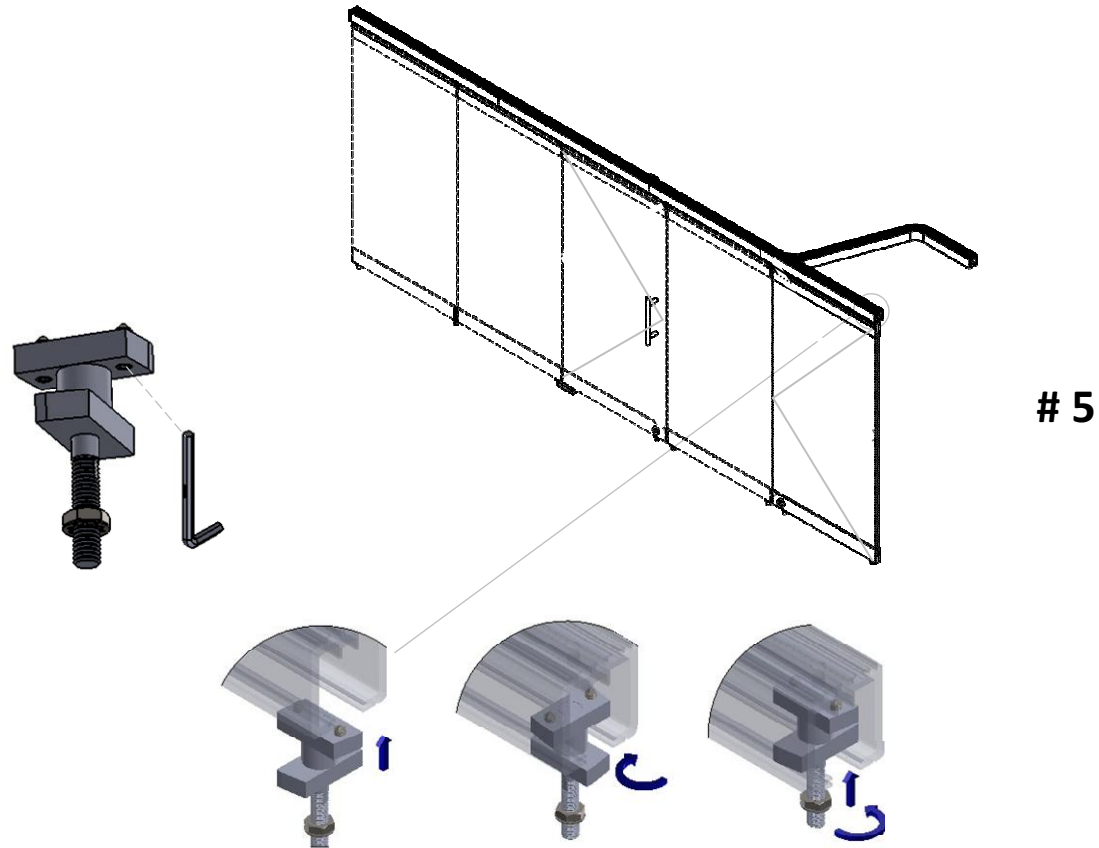


OPTION 2 Bottom door closer



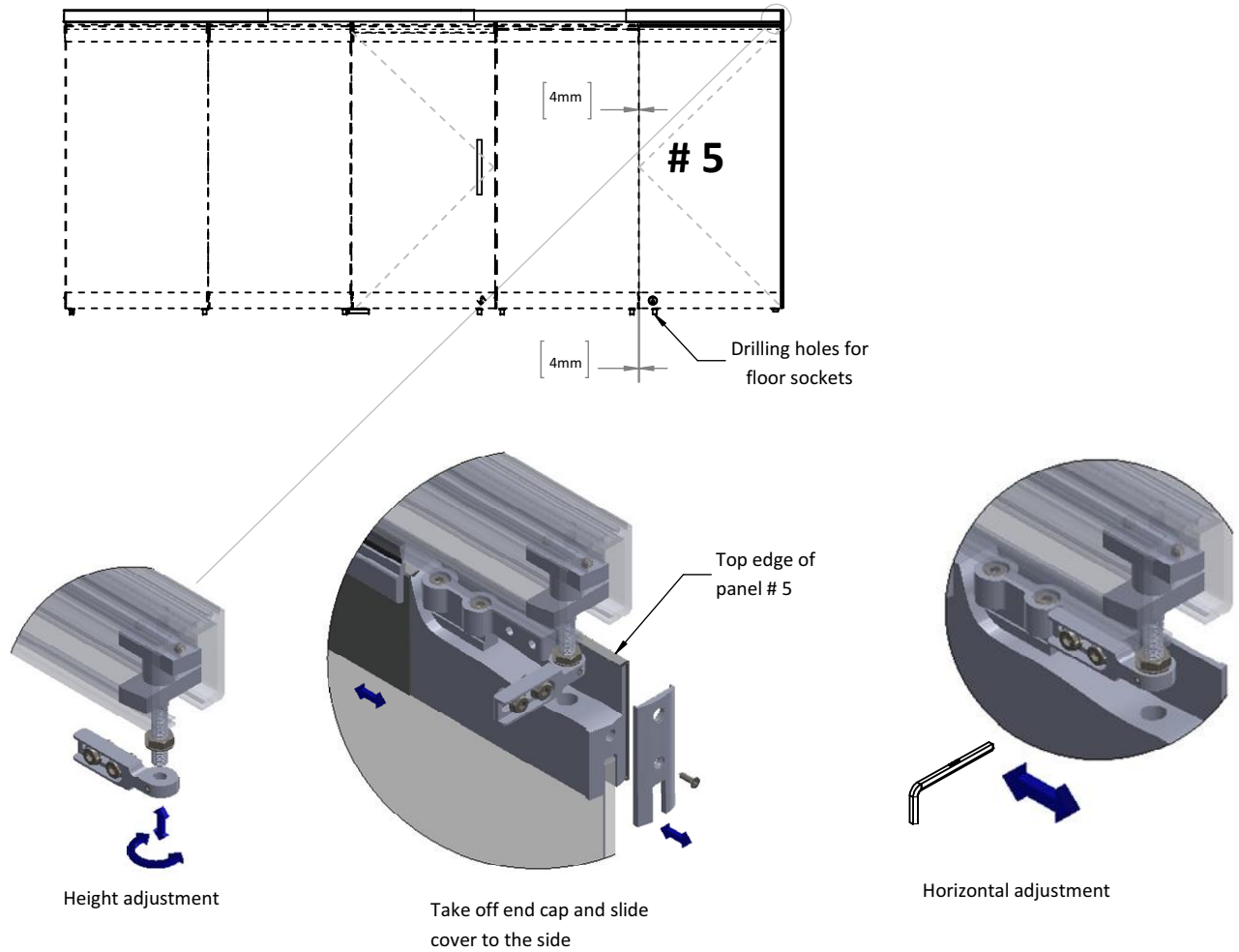
Installation Manual stacking-sliding units Series 750

Installation of pin carrier within headtrack for double action end panel



Installation Manual stacking-sliding units Series 750

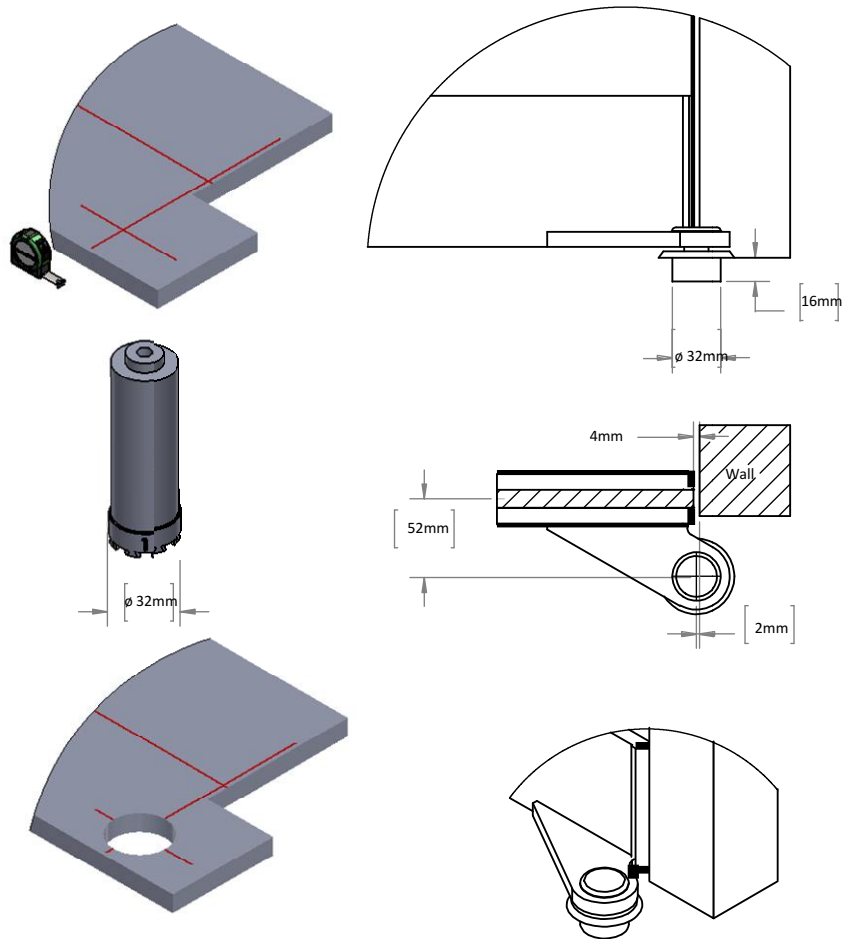
Installation of double action end panel



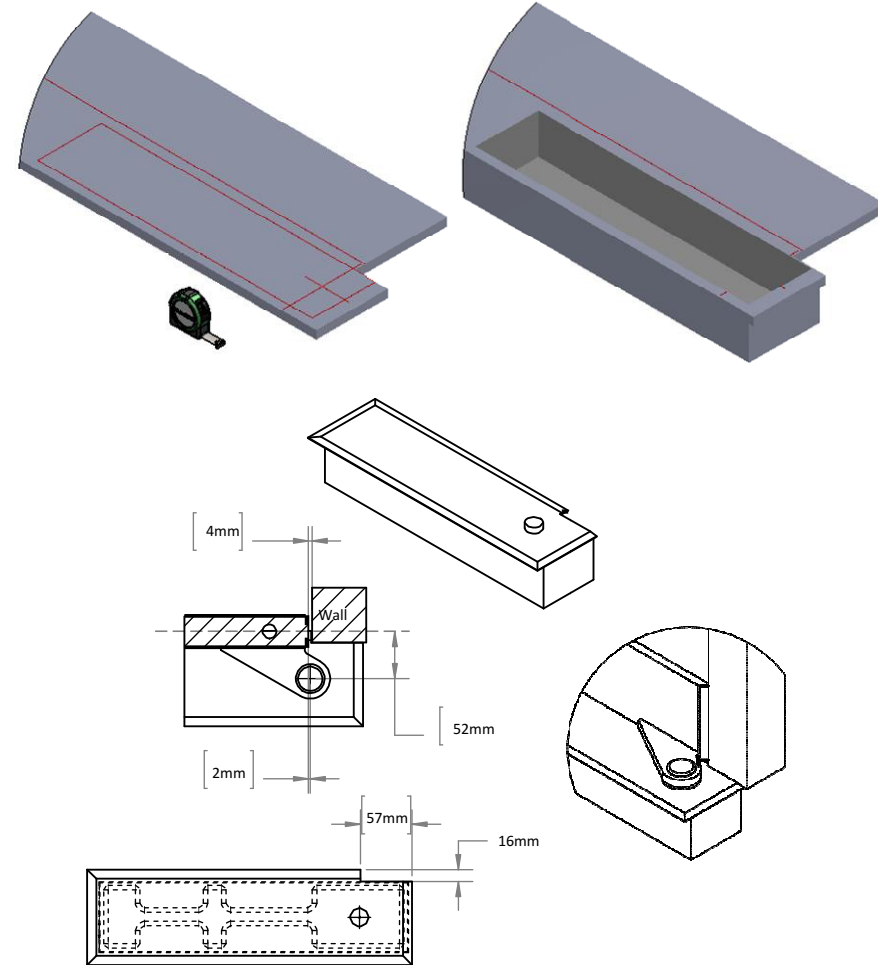
Installation Manual stacking-sliding units Series 750

Installation of floor support and bottom door closer for single action end panel

OPTION 3 floor support



OPTION 4 Bottom door closer

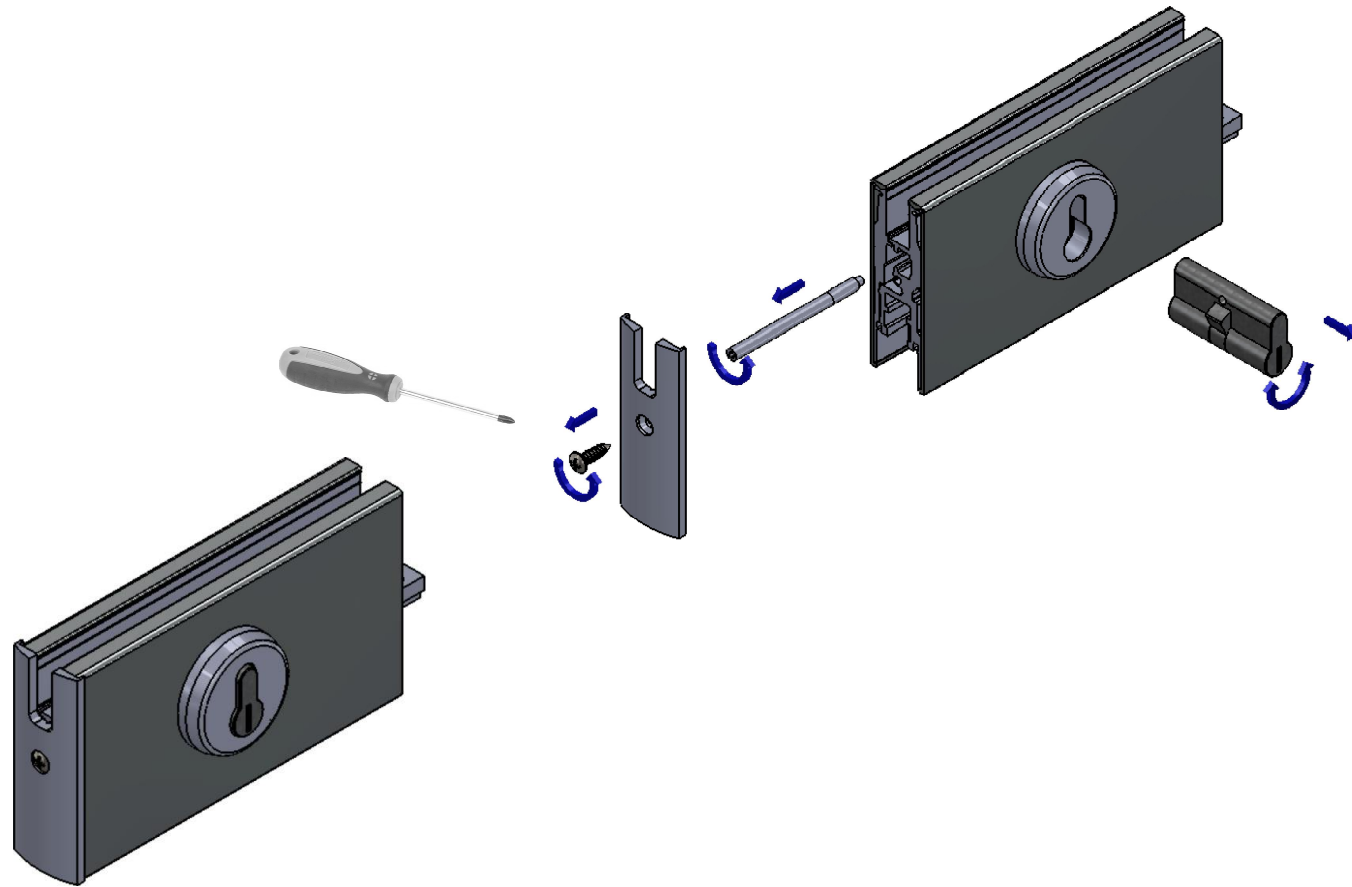


Installation Manual stacking-sliding units Series 750

Installation of profile cylinder

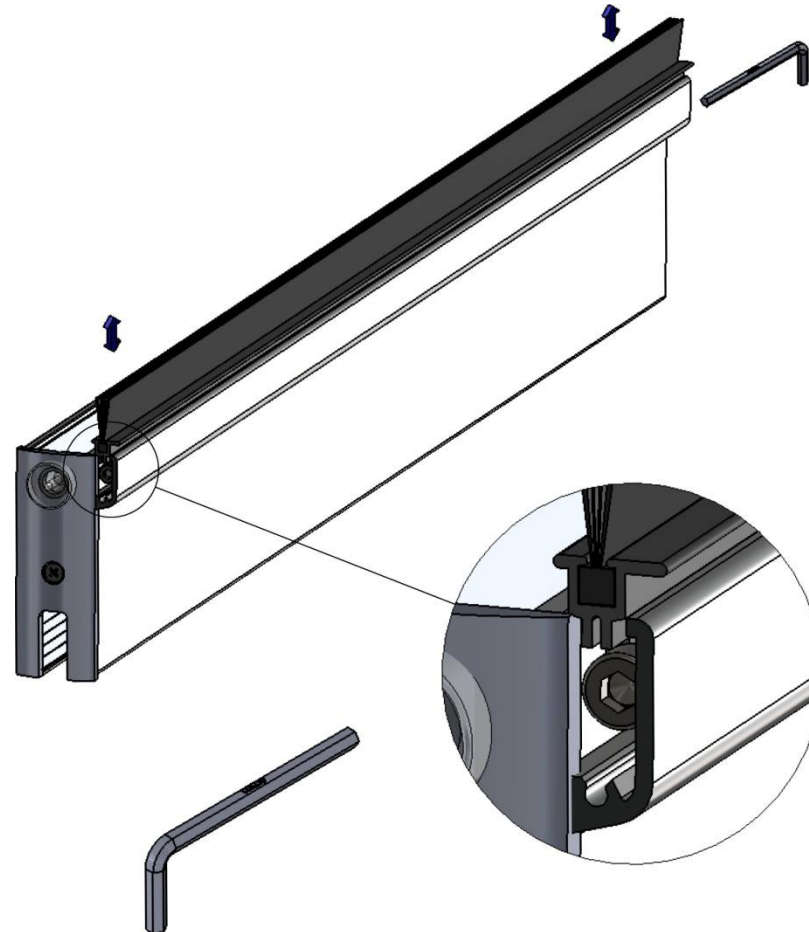
TEUFELBESCHLAG

We make glass moveable!



Installation Manual stacking-sliding units Series 750

Height adjustment of top brush



TEUFELBESCHLAG

We make glass moveable!

